

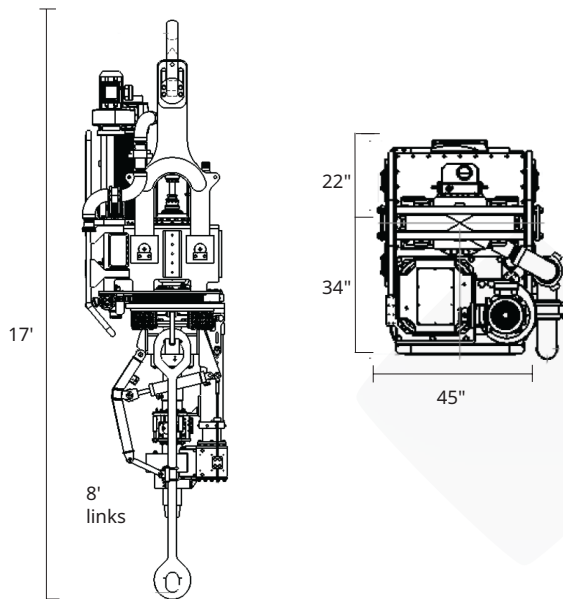


GDM 275/375

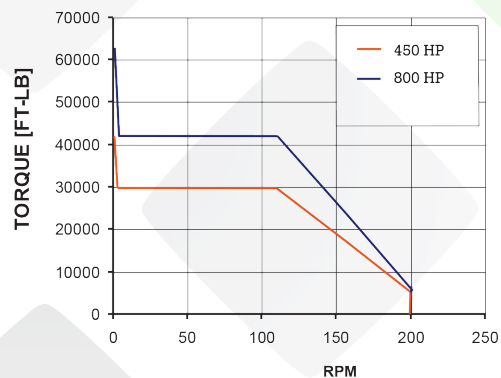
The GDM 275/375 top drive system is an ideal combination of small dimensions and high performance. We can customize to meet any drilling needs, and offer two A/C motor combinations for best value. The gearbox features strong, helical gears that operate with more torque, longer life and quieter operation.

FEATURES

- ◆ Perfect balance between compact design and powerful torque
- ◆ Dominating the small top drive class
- ◆ Simple to maintain and efficient to operate



Model	GDM275	GDM375
Load Rating (tons)	275	375
Breakout Torque	42,500	60,000
Continuous Torque	30,000	42,000
Max Speed (RPM)	200	200
Motor Horsepower	450 HP	800 HP
Hook Weight (lbs)	20,000	25,000
Mud Path	5,000 psi (Optional 7,500 psi) Standard 3" (Optional 4")	



CORPORATE

Premium Oilfield Technologies - USA

10600 W. Sam Houston Pkwy. North
Houston, TX 77064
T: +1 281.670.5200

MANUFACTURING & REPAIR

Premium Drilling Equipment and Support

9841 Windmill Park Ln.
Houston, TX 77064
T: +1 281.670.5200

Patriot and Urethane

10600 W. Sam Houston Pkwy. N.
Houston, TX 77064
T: +1 281.670.5228

West Texas Operations All Divisions

10207 West Industrial Ave.
Midland, TX 79706
T: +1 432.563.2328

Patriot Screens

4602 S. MacArthur Blvd.
Oklahoma City, OK 73179
T: +1 405.470.6553

Canada Operations All Divisions

107-6704-41 Street
Leduc, Alberta
Canada T9E 0Z4
T: +1 877.593.0034

FIELD SALES, SERVICES AND REPAIR OFFICES

California / Colorado / Louisiana / New Mexico / North Dakota / Oklahoma / Pennsylvania / Texas / Utah / Wyoming

INTERNATIONAL

KUWAIT

Premium Oilfield Technologies
P.O. Box 721
Yarmouk, Kuwait 72658
T: +965 99679126
T: +965 66022296

UAE

Premium Oilfield Technologies Trading LLC
P.O. Box 89561
Dubai, UAE
T: +971 55 889 7210
T: +971 56 986 3834

INDIA

PMR Mud Riggers India Private Limited
S-Block-232, MIDC
Bhosari, Pune MH 411026
India

UAE

Premium Oilfield Technologies FZE Top Drive Solutions
S700, PLOT S30229
Jebel Ali Free Zone (South)
P.O. Box 262263
Dubai, UAE
T: +971 4 889 4897
T: +971 506587570

SAUDI ARABIA

Premium Mud Pumps Trading Est.
P.O. Box 956
Dammam, KSA
Postal Code: 31951
T: +966 50 0157516

UAE

Premium Oilfield Technologies FZE Mud Pump Solutions
S700, PLOT S30229
Jebel Ali Free Zone (South)
P.O. Box 262263
Dubai, UAE
T: +971 4 889 4897
T: +971 558897210



Premium Oilfield Technologies
Q1-3977
ISO 9001:2015
Certificate Number: 5028



sales@premiumoilfield.com
premiumoilfield.com

121124

SUR·LOCK

CALIBER

TRU·FLOW

PATRIOT™



LOGAN
Power Swivel