

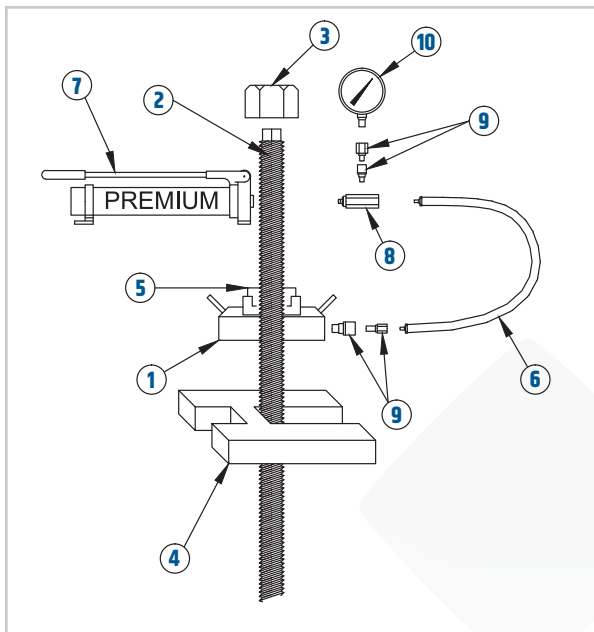


### Conventional Hydraulic Seat Puller System

Designed for fast and reliable valve seat removal in mud and frac pumps, this kit includes all components required for operation—excluding the puller head.

### How it Works

A hydraulic hand pump powers a heavy-duty pancake cylinder that pulls a threaded stem connected to the selected puller head. The included "H"-style base plate spans large fluid cylinder bores for added stability.



| ITEM | P/N        | DESCRIPTION                                      |
|------|------------|--|
| 1    | HP-1700-P  | Hydraulic Seat Puller Kit (2" Shaft) For API 6 7 |
| 2    | HP-1701-P  | Hydraulic Jack                                   |
| 3    | HP-1702-P  | Center Stem 2"- 4.5 TPI X 36"                    |
| 4    | HP-1703-P  | Center Stem Nut 2"-4.5 Hvy Hex                   |
| 5    | HP-1704-P  | Jack Base Plate                                  |
| 6    | HP-1705-P  | Center Bushing #5                                |
| 7    | HP-1707-P  | Hydraulic Hose                                   |
| 8    | HP-1708-P  | Hydraulic Pump                                   |
| 9    | HP-1709-P  | Gauge Adapter For Hydraulic Seat Puller          |
| 10   | HP-1711-P  | Hydraulic Coupling (2pc)                         |
| 11   | HP-1712    | Gauge  |
| 12   | HP-1717-P  | O-Ring Kit (Includes 1x 3N7-2244, 1X 3N7-2263)   |
| 13   | HP-1718A-P | Hydraulic Pump Repair Kit                        |

V.06082026

# HP-1700 HYDRAULIC SEAT PULLER

## Optional Equipment (not pictured)

| P/N       | Description   |
|-----------|---|
| HP-1707-A | Hydraulic Hose Assembly, Includes 10" Hose, Gauge Connector, Quick Coupler, Gauge |
| HP-1713-P | H2N Spider Nut - 2"-4.5 TPI Heavy Hex (Wing Nut)                                  |
| HP-1716-P | Steel Case, Hydraulic Seat Puller   |
| HP-1776-P | Hyd. Pump Assy (W/House Gauge Adapt. & Quick Disconnect)                          |

## Seat Puller Stem Options

| P/N          | Description  |
|--------------|--|
| HP-1702-45-P | Center Stem 2" OD 4-1/2" Threaded 45" Long For Hydraulic Seat Puller |
| HP-1702-49-P | Center Stem 2" OD 4-1/2" Threaded 49" Long For Hydraulic Seat Puller |
| HP-1702-52-P | Center Stem 2" OD 4-1/2" Threaded 52" Long For Hydraulic Seat Puller |
| HP-1702-60-P | Center Stem 2" OD 4-1/2" Threaded 60" Long For Hydraulic Seat Puller |

## Hydraulic Pump Options

| P/N      | Description  |
|----------|--|
| 601-0274 | Foot Pump, HP-1700-P, Hydraulic Seat Puller (2" Shaft) For API 6/7 |
| 601-1037 | Hydraulic Pump, Battery Powered, 10,000 PSI                        |

## 4-Web Seat Puller Head Options

| P/N      | Description             |
|----------|-------------------------|
| 1700-5-P | API 5 Puller Head 4 Web |
| 1700-6-P | API 6 Puller Head 4 Web |
| 1700-7-P | API 7 Puller Head 4 Web |
| 1700-8-P | API 8 Puller Head 4 Web |

## Full Open Split Style Seat Puller Head Options:

| P/N        | Description                                    |
|------------|--|
| 1700-5FO-P | API 5 Puller Head Full Open Seat (Split Style) |
| 1700-6FO-P | API 6 Puller Head Full Open Seat (Split Style) |
| 1700-7FO-P | API 7 Puller Head Full Open Seat (Split Style) |
| 1700-8FO-P | API 8 Puller Head Full Open Seat (Split Style) |

## Full Open Pivot Style Seat Puller Head Options:

| P/N     | Description                               |
|---------|---|
| RND-5-P | API 5 Full Open Puller Head (Pivot Style) |
| RND-6-P | API 6 Full Open Puller Head (Pivot Style) |
| RDN-7-P | API 7 Full Open Puller Head (Pivot Style) |
| ND-8-PH | API 8 Full Open Puller Head (Pivot Style) |

