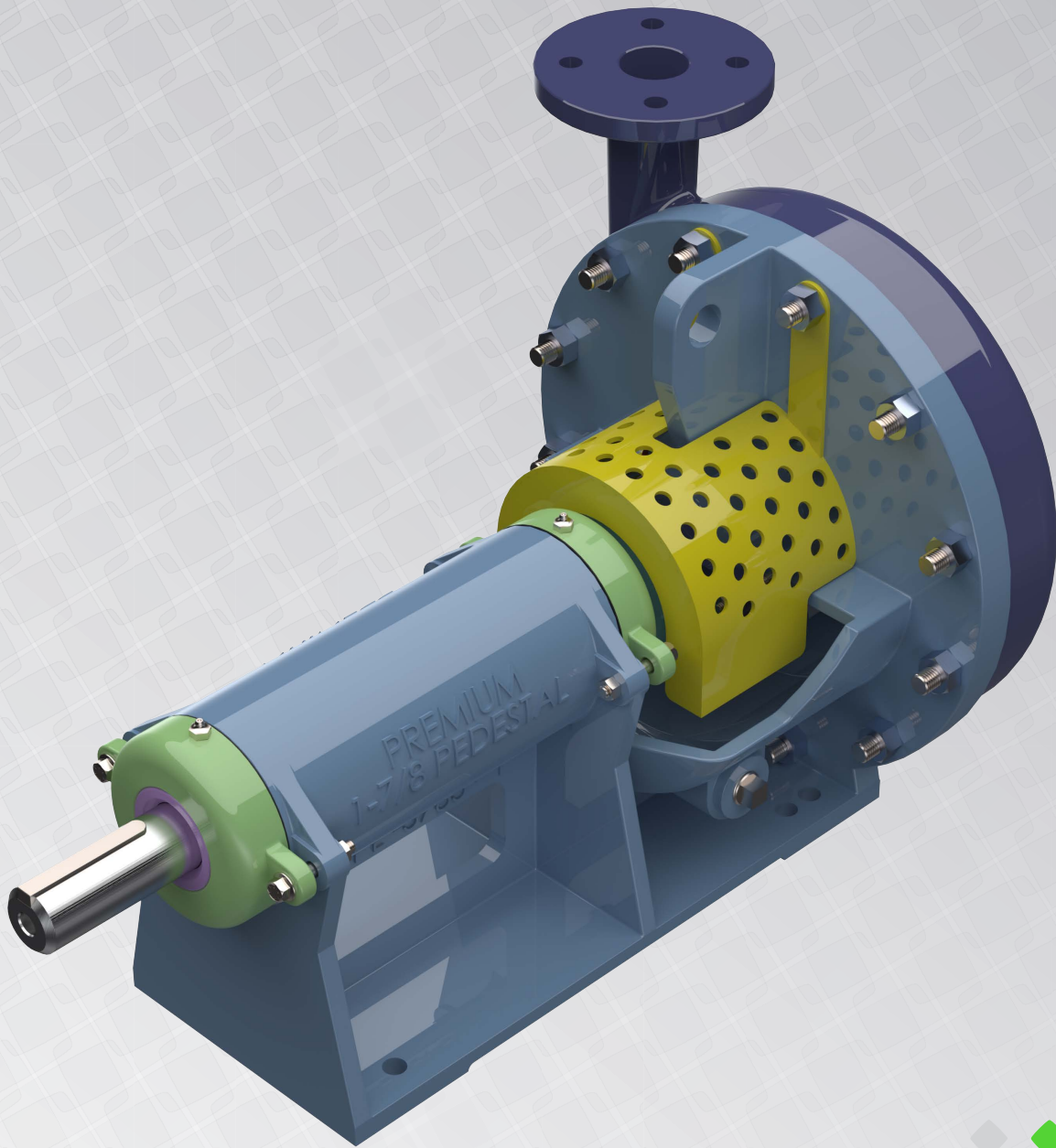
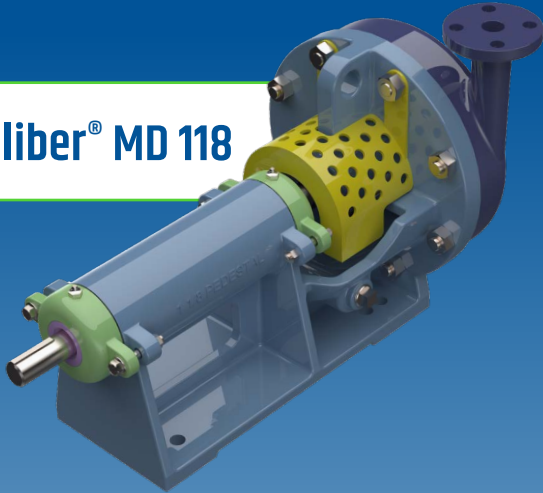


Caliber® MD 178



Premium Oilfield Technologies offers a complete line of centrifugal pumps that are manufactured to OEM specifications and interchangeability. Ours are machined to precise engineering tolerances.

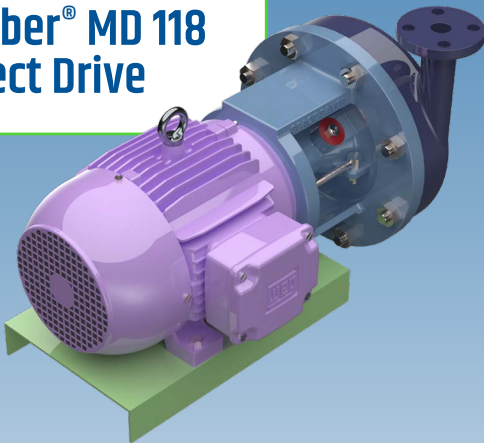
Caliber® MD 118



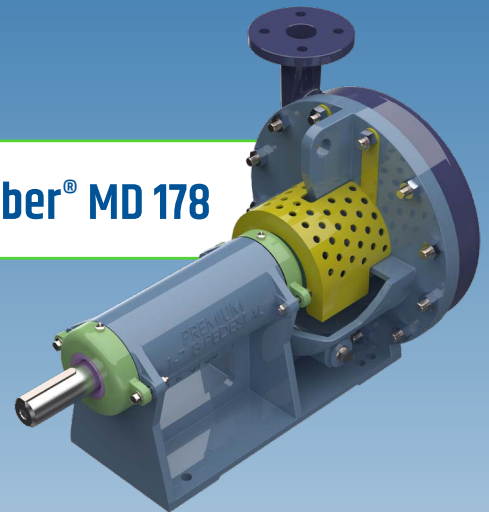
Caliber® MD 250 Compact



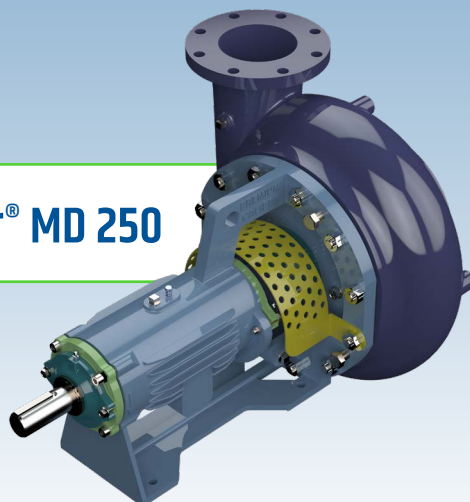
Caliber® MD 118 Direct Drive



Caliber® MD 178



Caliber® MD 250



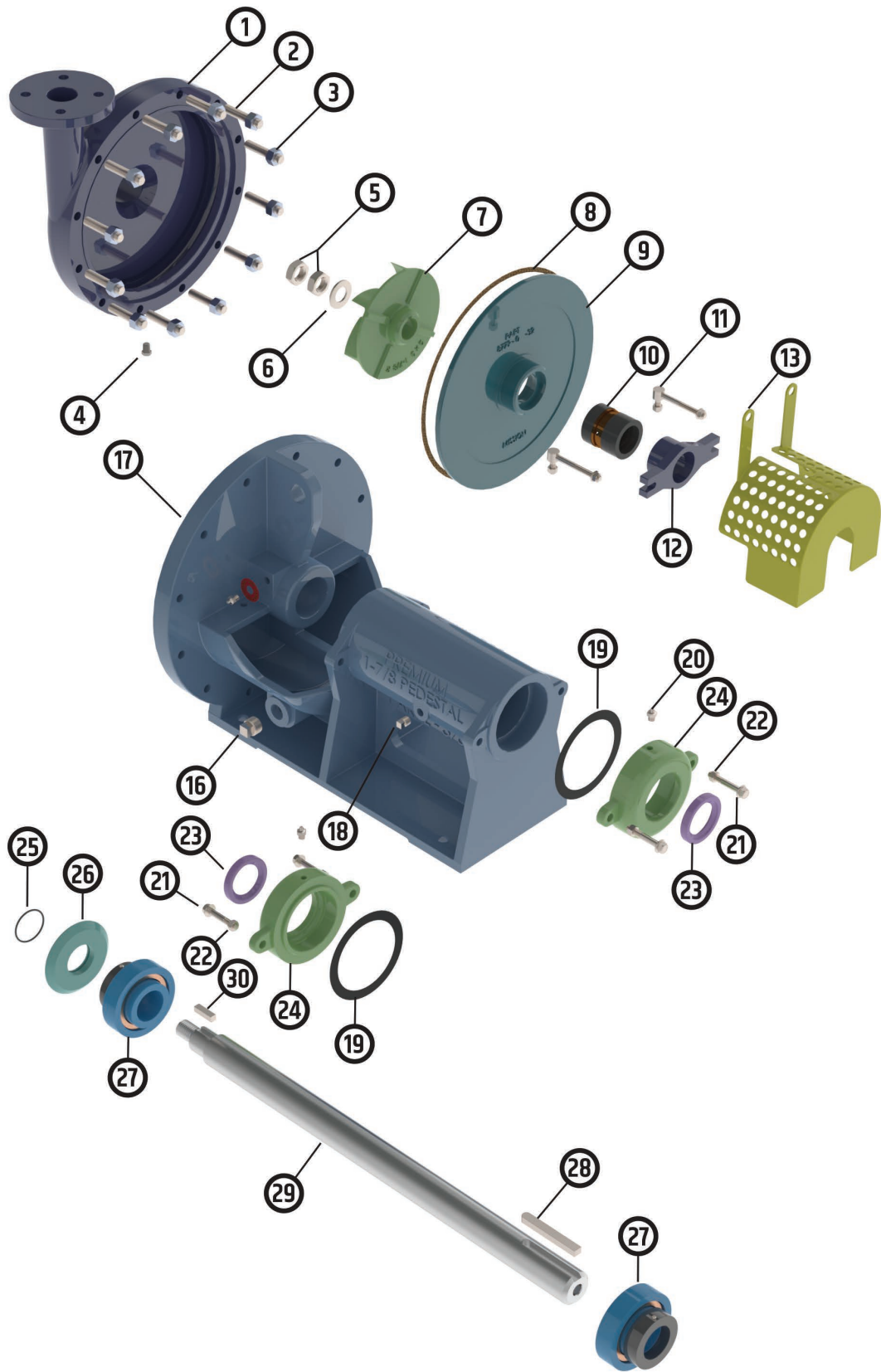
Caliber[®] MD 178

Premium Oilfield Technologies Caliber[®] centrifugal pumps incorporate field proven designs and updated technology to extend service life and reduce downtime during drilling operations.

Features and Benefits Include:

- Open impeller design to maximize flow
- Concentric casing design minimizes turbulence
- Optional long life mechanical seals

Assem. No.	Impeller		Casing	
	Size	Part No.	Size	Part No.
537-0110	3" X 2" X 13"	537-0012-130	3" x 2"	537-0011
537-0210	3" X 2" X 12"	537-0012-120		
537-0310	3" X 2" X 11"	537-0012-110		
537-0120	4" X 3" X 13"	537-0022-130	4" X 3"	537-0021
537-0220	4" X 3" X 12"	537-0022-120		
537-0320	4" X 3" X 10"	537-0022-110		
537-0230	5" X 4" X 12"	537-0032-120	5" X 4"	537-0031
537-0330	5" X 4" X 11"	537-0032-110		
537-0430	5" X 4" X 10"	537-0032-100		
537-0240	6" X 5" X 12"	537-0052-120	6" X 5"	537-0041
537-0340	6" X 5" X 11"	537-0052-110		
537-0440	6" X 5" X 10"	537-0052-100		
537-0170	8" X 6" X 13"	537-0072-130	8" X 6"	537-0071
537-0270	8" X 6" X 12"	537-0072-120		
537-0370	8" X 6" X 11"	537-0072-110		



Centrifugal Pump Parts

Item	P/N	Description	Qty
1	SEE TABLE	Casing (See Table)	1
2	201-651	Stud, All Thd, Casing 5/8" - 11UNC X 3-1/2"	12
3	210-007	Nut, Heavy Hex, Casing, 5/8" - 11UNC	12
4	601-0431	Pipe Plug, Hex Head, Casing 1/4 NPT	1
5	209-047	Jam Nut, Impeller, 1" - 8UNC	2
6	207-007	Washer, Impeller, 3/4"	1
7	SEE TABLE	Impeller (See Table)	1
8	537-0020	Gasket, Casing CP Type S (1-1/8")	1
9	537-0022	Wear Plate, Machined, CP Type R, (1-7/8")	1
10	537-0028	Packing (Set Of 7), CP Type R (1-7/8") Sq. (10mm)	1
11	530-0275	Gland Assembly Bolt, CP Type R (L1 - 1.634", L2 - 4.55")	2
12	537-0030	Packing Gland (1 Half), CP Type R (1-7/8")	2
13	537-0300	Guard	1
14	601-0104	Hydraulic Grease Fitting - 1/4 NPT	1
15	534-0035	Labeled Washer- "Use Water Pump Grease"	1
16	601-0430	Plug, 3/4 NPT, Square Head	2
17	537-0010	Frame (1-7/8" Pedestal)	1
18	601-0429	Plug, 1/4 NPT, Square Head	1
19	537-0037	Gasket, Bearing Cap, CP Type R, 1-7/8" (ID-110 mm, OD- 140mm,T=1mm)	2
20	601-0009	Grease Fitting, Bearing Cap, 1/8 NPT	2
21	601-0196	Hex Flange Head Bolt - Bearing Cap, 3/8" - 16UNC - 2-1/4"	4
22	209-005	Hex Nut Bearing Cap, 3/8" - 16UNC	2
23	537-0040	Grease Seal, Bearing Cap, Typer (ID=47.6mm)	2
24	537-0036	Bearing Cap, Machined, CP Type R (1-7/8")	2
25	301-0018	O-Ring - Water Slinger (OD-26.1mm, C/S-3mm)	1
26	537-0034	Water Slinger Ring, Metal, CP Type R (1-7/8")	1
27	601-0791	Deep Grooved Ball Bearing - NAA310-30P06	2
28	537-0025	Key-Impeller End, CP Type R (L=1 3/8" - Keyway W= 3/8" * T= 3/8")	1
29	537-0027	Shaft, CP Type R (1-7/8") (47.6mm - OD)	1
30	537-0026	Key-Coupling End, CP Type R (Length 3-7/8" - Keyway W 1/2" X T 1/2")	1

CORPORATE

Premium Oilfield Technologies - USA

10600 W. Sam Houston Pkwy. North
Houston, TX 77064
T: +1 281.670.5200

MANUFACTURING & REPAIR

Premium Drilling Equipment and Support

9841 Windmill Park Ln.
Houston, TX 77064
T: +1 281.670.5200

Patriot and Urethane

10600 W. Sam Houston Pkwy. N.
Houston, TX 77064
T: +1 281.670.5228

West Texas Operations All Divisions

10207 West Industrial Ave.
Midland, TX 79706
T: +1 432.563.2328

Patriot Screens

4602 S. MacArthur Blvd.
Oklahoma City, OK 73179
T: +1 405.470.6553

Canada Operations All Divisions

107-6704-41 Street
Leduc, Alberta
Canada T9E 0Z4
T: +1 877.593.0034

FIELD SALES, SERVICES AND REPAIR OFFICES

California / Colorado / Louisiana / New Mexico / North Dakota / Oklahoma / Pennsylvania / Texas / Utah / Wyoming

INTERNATIONAL

KUWAIT

Premium Oilfield Technologies
P.O. Box 721
Yarmouk, Kuwait 72658
T: +965 99679126
T: +965 66022296

UAE

Premium Oilfield Technologies Trading LLC
P.O. Box 89561
Dubai, UAE
T: +971 55 889 7210
T: +971 56 986 3834

INDIA

PMR Mud Riggers India Private Limited
S-Block-232, MIDC
Bhosari, Pune MH 411026
India

UAE

Premium Oilfield Technologies FZE Top Drive Solutions
S700, PLOT S30229
Jebel Ali Free Zone (South)
P.O. Box 262263
Dubai, UAE
T: +971 4 889 4897
T: +971 506587570

SAUDI ARABIA

Premium Mud Pumps Trading Est.
P.O. Box 956
Dammam, KSA
Postal Code: 31951
T: +966 50 0157516

UAE

Premium Oilfield Technologies FZE Mud Pump Solutions
S700, PLOT S30229
Jebel Ali Free Zone (South)
P.O. Box 262263
Dubai, UAE
T: +971 4 889 4897
T: +971 558897210



Premium Oilfield Technologies
Q1-3977
ISO 9001:2015
Certificate Number: 5028



sales@premiumoilfield.com
premiumoilfield.com

121124

SUR·LOCK

CALIBER

TRU·FLOW

PATRIOT™



LOGAN
Power Swivel