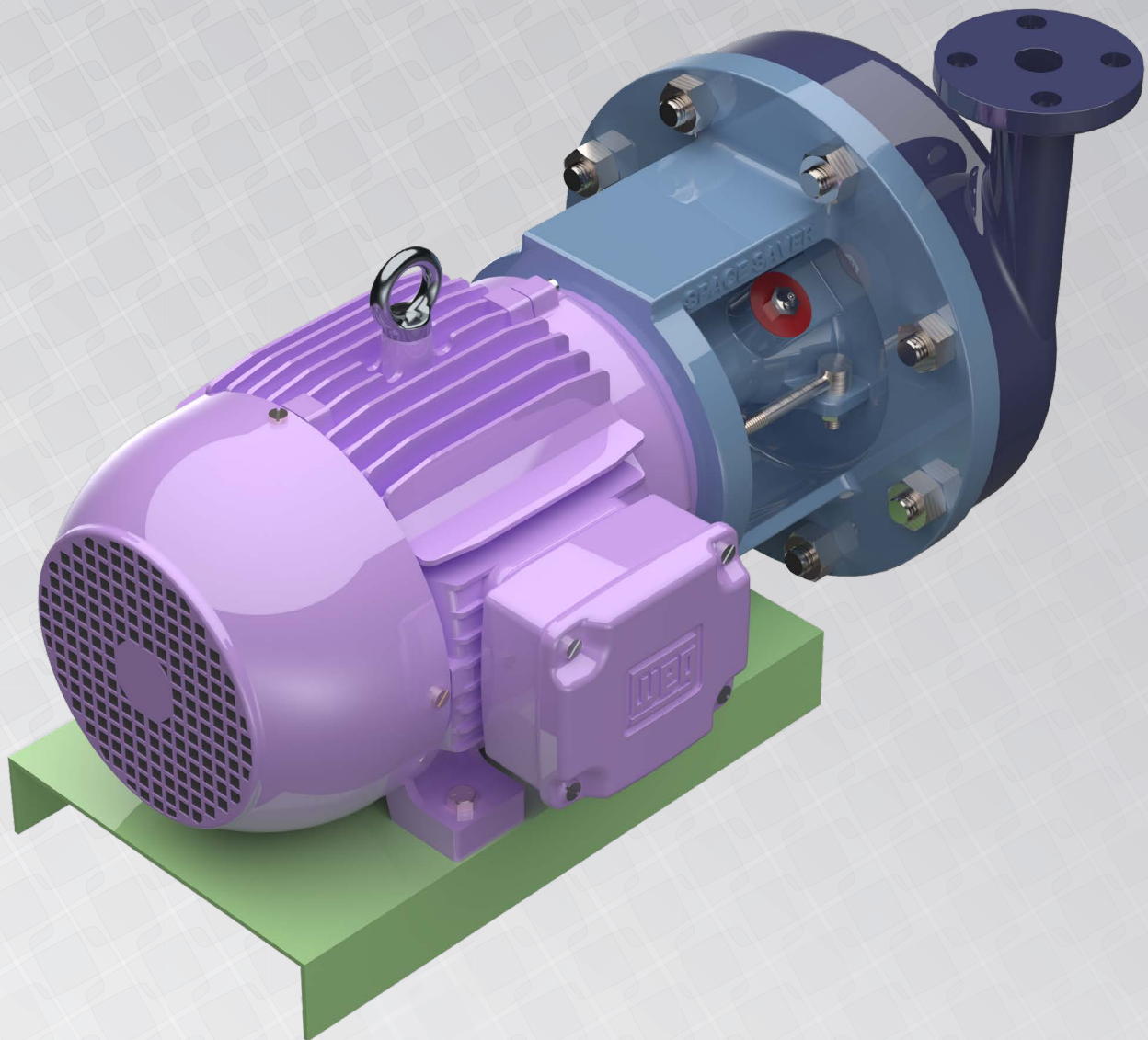
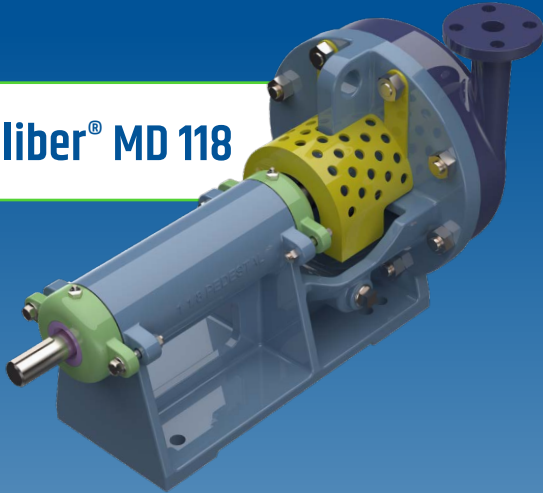


Caliber® MD 118 Direct Drive

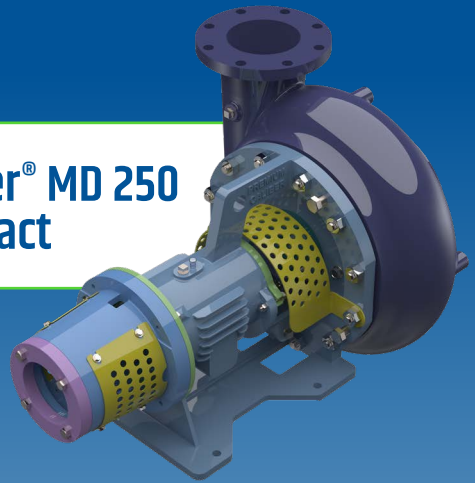


Premium Oilfield Technologies offers a complete line of centrifugal pumps that are manufactured to OEM specifications and interchangeability. Ours are machined to precise engineering tolerances.

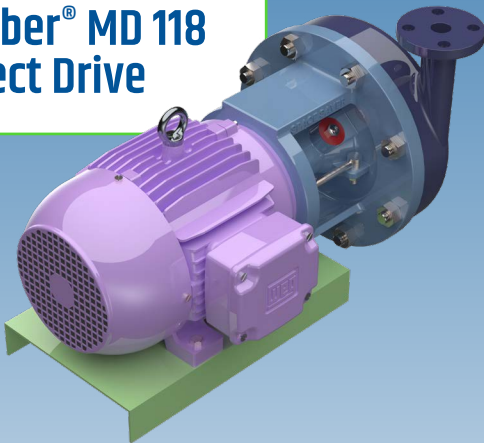
Caliber® MD 118



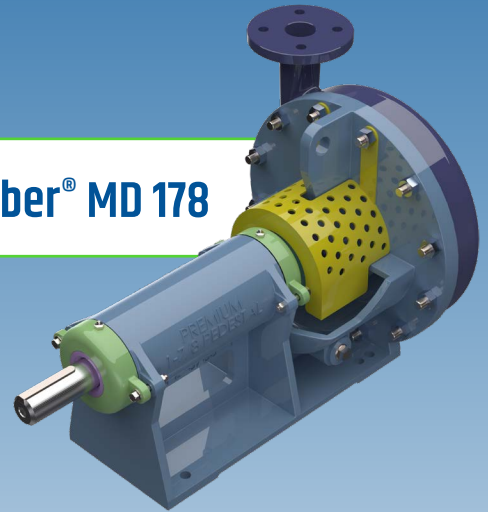
Caliber® MD 250 Compact



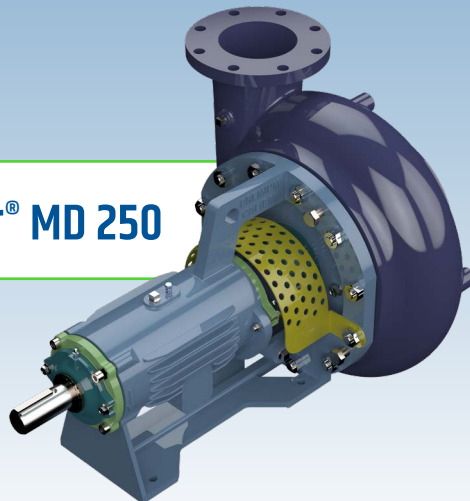
Caliber® MD 118 Direct Drive



Caliber® MD 178



Caliber® MD 250



Caliber® MD 118 Direct Drive

Premium Oilfield Technologies Caliber® centrifugal pumps incorporate field proven designs and updated technology to extend service life and reduce downtime during drilling operations.

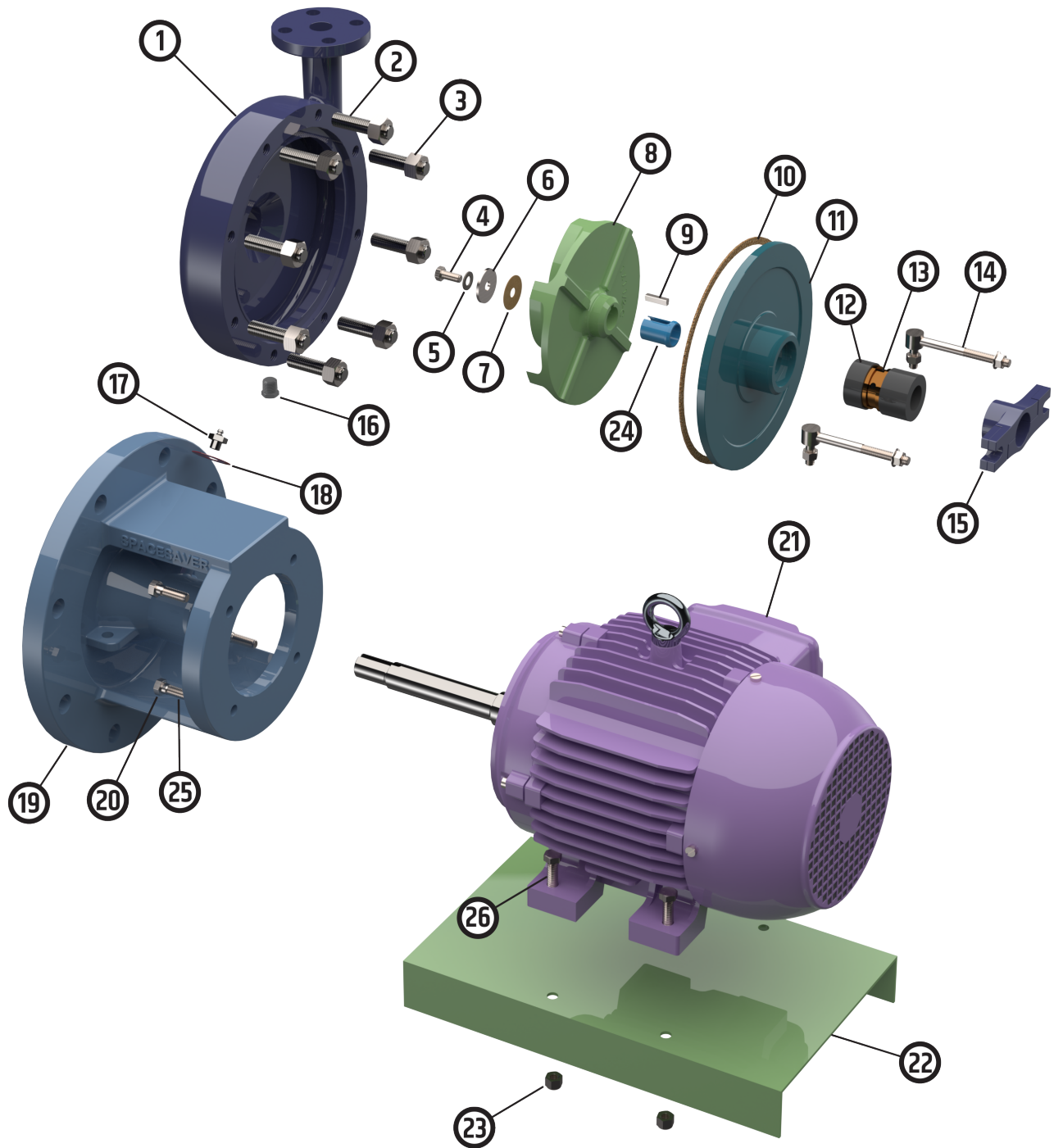
Features and Benefits Include:

- Open impeller design to maximize flow
- Concentric casing design minimizes turbulence
- Replaceable shaft sleeve to absorb wear and extend shaft life
- Optional long life mechanical seals

Assem. No.	Impeller		Casing	
	Size	Part No.	Size	Part No.
535-011X-YHP	1" X 1-1/2" X 8-1/2" C	534-0012-084	1" X 1-1/2" C	534-0011
535-021X-YHP	1" X 1-1/2" X 8" C	534-0012-080		
535-012X-YHP	1-1/2" X 2" X 8-1/2" R	534-0022-084	1-1/2" X 2" R	534-0021
535-022X-YHP	1-1/2" X 2" X 8" R	534-0022-080		
535-013X-YHP	1-1/2" X 2" X 8-1/2" C	534-0032-084	1-1/2" X 2" C	534-0031
535-023X-YHP	1-1/2" X 2" X 8" C	534-0032-080		
535-014X-YHP	2" X 3" X 8-1/2" R	534-0042-084	2" X 3" R	534-0041
535-024X-YHP	2" X 3" X 8" R	534-0042-080		
535-015X-YHP	2" X 3" X 8-1/2" C	534-0052-084	2" X 3" C	534-0051
535-025X-YHP	2" X 3" X 8" C	534-0052-080		
535-016X-YHP	3" X 4" X 8-1/2" R	534-0062-084	3" X 4" R	534-0061
535-026X-YHP	3" X 4" X 8" R	534-0062-080		

X = Voltage
0 - 230/460V
5 - 575 V

Y = Horsepower
3 - 3HP
5 - 5HP
7.5 - 7.5HP
10 - 10HP



Centrifugal Pump Parts

Item	P/N	Description	Qty
1	SEE TABLE	Casing (See Table)	1
2	201-645	Stud, All Thd, Casing 5/8" - 11UNC X 2-3/4"	8
3	210-007	Nut, Heavy Hex, Casing, 5/8" - 11UNC	8
4	202-420	Hex Cap Screw, 3/8" -16 X 7/8"	1
5	207-003-SS	3/8" Stainless Steel Washer	1
6	535-0023	3/8" Stainless Steel Heavy Washer	1
7	535-0024	3/8" Gasket, Fiber	1
8	See Chart	Impeller	1
9	535-0025	Parallel Key	1
10	534-0020	Gasket, Casing CP Type S (1-1/8")	1
11	534-0022	Wear Plate	1
12	534-0028	Packing (Set Of 5)	1
13	534-0029	Lantern Ring	1
14	530-0275	Gland Bolt Assembly	2
15	534-0030	Packing Gland (1 Half)	2
16	601-0431	Pipe Plug, Hex Head, Casing 1/4 NPT	1
17	601-0104	1/4" - 18 NPT Grease Zerk	1
18	534-0035	Labeled Washer	1
19	535-0010	Frame	1
20	202-423	Hex Cap Screw, 3/8" - 16 X 1-1/4"	4
21	See Chart	Motor	1
22	535-0301	Base	1
23	209-005	Hex Nut	4
24	535-0026	Sleeve, Shaft	1
25	601-0407	Din 6797 18-8 Stainless Steel	4
26	202-423	Hex Head Capscrew 3/8" x 1-1/4"	4

CORPORATE

Premium Oilfield Technologies - USA

10600 W. Sam Houston Pkwy. North
Houston, TX 77064
T: +1 281.670.5200

MANUFACTURING & REPAIR

Premium Drilling Equipment and Support

9841 Windmill Park Ln.
Houston, TX 77064
T: +1 281.670.5200

Patriot and Urethane

10600 W. Sam Houston Pkwy. N.
Houston, TX 77064
T: +1 281.670.5228

West Texas Operations All Divisions

10207 West Industrial Ave.
Midland, TX 79706
T: +1 432.563.2328

Patriot Screens

4602 S. MacArthur Blvd.
Oklahoma City, OK 73179
T: +1 405.470.6553

Canada Operations All Divisions

107-6704-41 Street
Leduc, Alberta
Canada T9E 0Z4
T: +1 877.593.0034

FIELD SALES, SERVICES AND REPAIR OFFICES

California / Colorado / Louisiana / New Mexico / North Dakota / Oklahoma / Pennsylvania / Texas / Utah / Wyoming

INTERNATIONAL

KUWAIT

Premium Oilfield Technologies
P.O. Box 721
Yarmouk, Kuwait 72658
T: +965 99679126
T: +965 66022296

UAE

**Premium Oilfield Technologies
Trading LLC**
P.O. Box 89561
Dubai, UAE
T: +971 55 889 7210
T: +971 56 986 3834

INDIA

**PMR Mud Riggers India
Private Limited**
S-Block-232, MIDC
Bhosari, Pune MH 411026
India

UAE

**Premium Oilfield Technologies FZE
Top Drive Solutions**
S700, PLOT S30229
Jebel Ali Free Zone (South)
P.O. Box 262263
Dubai, UAE
T: +971 4 889 4897
T: +971 506587570

SAUDI ARABIA

Premium Mud Pumps Trading Est.
P.O. Box 956
Dammam, KSA
Postal Code: 31951
T: +966 50 0157516

UAE

**Premium Oilfield Technologies FZE
Mud Pump Solutions**
S700, PLOT S30229
Jebel Ali Free Zone (South)
P.O. Box 262263
Dubai, UAE
T: +971 4 889 4897
T: +971 558897210



Premium Oilfield Technologies
Q1-3977
ISO 9001:2015
Certificate Number: 5028



sales@premiumoilfield.com
premiumoilfield.com

121124

SUR·LOCK

CALIBER

TRU·FLOW

PATRIOT™



LOGAN
Power Swivel