

The Premium Oilfield Technologies AirForce™ mud gate valve provides the user with remote bleed-off capability of standpipe lines translating to a simplified and safer user interface. Utilizing the Premium NV-7500 core design allows our valve to be one of the longest lasting valves in the industry for applications up to 7500 psi.

Unlike conventional mud valves with rubber seats that wash out quickly, the NV-7500 uses single piece seat rings creating an upstream metal to metal seal. This upstream design helps eliminate debris contamination into the valve body and reduces wear on internal components.

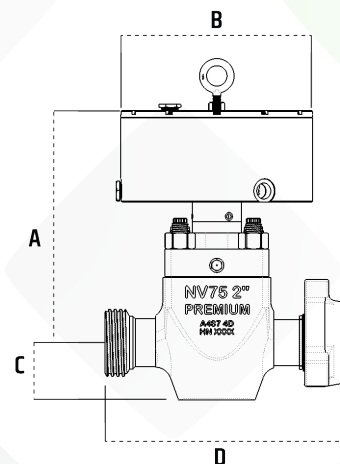
BENEFITS

- ◆ Economical patent pending design
- ◆ No personnel on rig floor required to actuate
- ◆ Operated from driller's cabin
- ◆ Remote control system with visible position indication
- ◆ Electronic / pneumatic solenoid
- ◆ Operating range 0-7500 psi system pressure
- ◆ Designed rapid opening time minimizes jetting action
- ◆ Rapid actuation extends valve life
- ◆ Single piece seat
- ◆ Metal to metal sealing
- ◆ Reduced wash-outs: Upstream sealing reduces solids in valve cavity

APPLICATIONS

- ◆ 7500 psi mud systems
- ◆ Standpipe manifolds
- ◆ Bleed lines
- ◆ 2" full bore, 1502

Dimensions	2" 1502
A	14.250"
B	11.746"
C	3.500"
D	13.850"



CORPORATE

Premium Oilfield Technologies - USA

10600 W. Sam Houston Pkwy. North
Houston, TX 77064
T: +1 281.670.5200

MANUFACTURING & REPAIR

Premium Drilling Equipment and Support

9841 Windmill Park Ln.
Houston, TX 77064
T: +1 281.670.5200

Patriot and Urethane

10600 W. Sam Houston Pkwy. N.
Houston, TX 77064
T: +1 281.670.5228

West Texas Operations All Divisions

10207 West Industrial Ave.
Midland, TX 79706
T: +1 432.563.2328

Patriot Screens

4602 S. MacArthur Blvd.
Oklahoma City, OK 73179
T: +1 405.470.6553

Canada Operations All Divisions

107-6704-41 Street
Leduc, Alberta
Canada T9E 0Z4
T: +1 877.593.0034

FIELD SALES, SERVICES AND REPAIR OFFICES

California / Colorado / Louisiana / New Mexico / North Dakota / Oklahoma / Pennsylvania / Texas / Utah / Wyoming

INTERNATIONAL

KUWAIT

Premium Oilfield Technologies
P.O. Box 721
Yarmouk, Kuwait 72658
T: +965 99679126
T: +965 66022296

UAE

Premium Oilfield Technologies Trading LLC
P.O. Box 89561
Dubai, UAE
T: +971 55 889 7210
T: +971 56 986 3834

INDIA

PMR Mud Riggers India Private Limited
S-Block-232, MIDC
Bhosari, Pune MH 411026
India

UAE

Premium Oilfield Technologies FZE Top Drive Solutions
S700, PLOT S30229
Jebel Ali Free Zone (South)
P.O. Box 262263
Dubai, UAE
T: +971 4 889 4897
T: +971 506587570

SAUDI ARABIA

Premium Mud Pumps Trading Est.
P.O. Box 956
Dammam, KSA
Postal Code: 31951
T: +966 50 0157516

UAE

Premium Oilfield Technologies FZE Mud Pump Solutions
S700, PLOT S30229
Jebel Ali Free Zone (South)
P.O. Box 262263
Dubai, UAE
T: +971 4 889 4897
T: +971 558897210



Premium Oilfield Technologies
Q1-3977
ISO 9001:2015
Certificate Number: 5028



sales@premiumoilfield.com
premiumoilfield.com

121124

SUR·LOCK

CALIBER

TRU·FLOW

PATRIOT™



LOGAN
Power Swivel