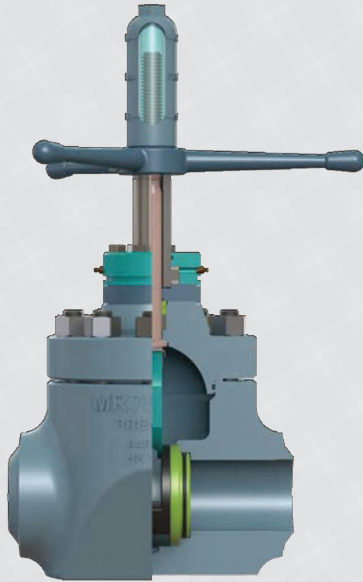


MR-75 MUD GATE VALVE 3" AND 4" BORE



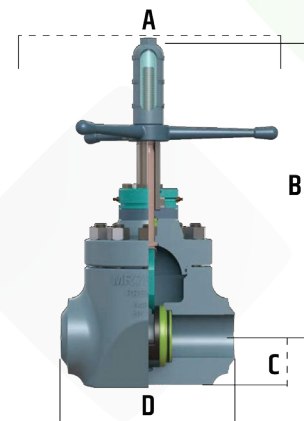
INDUSTRY-STANDARD AND FULLY INTERCHANGEABLE PARTS AND SYSTEMS

The Premium MR-75 Mud Gate Valve utilizes a field proven design, cross-compatible with legacy Demco profile mud valves. The 7500 psi version is available in sizes from 1.5" to 5" full bore along with major and minor spares kits.

BENEFITS

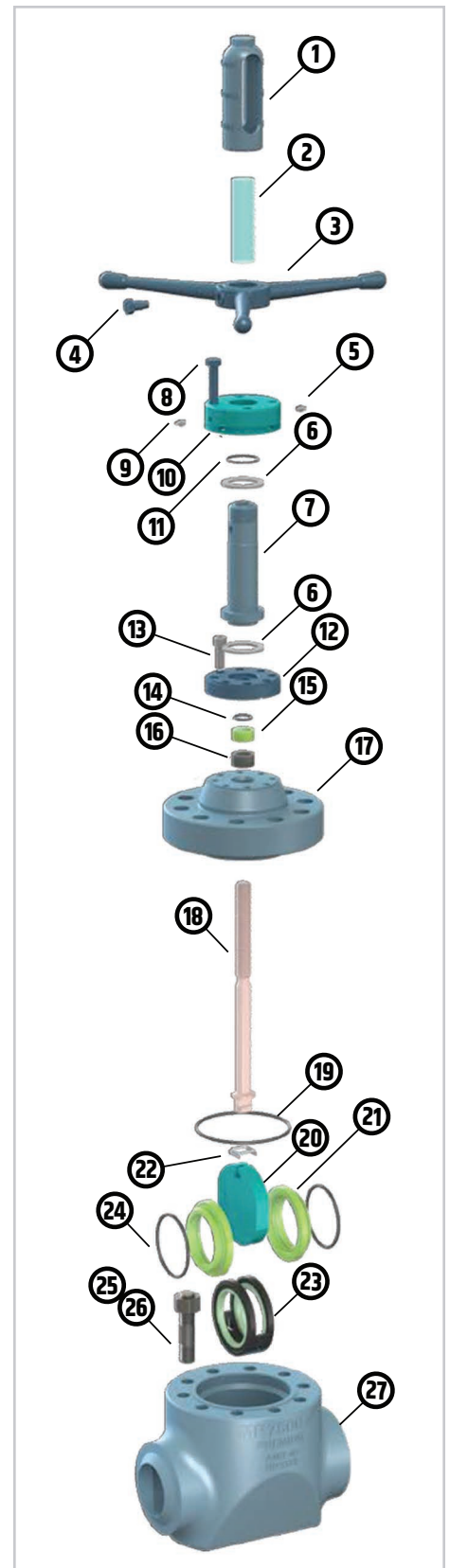
- ◆ Designed to be repaired without taking valve offline
- ◆ Replaceable seat rings that wear instead of the valve body, extending service life of the valve
- ◆ Stainless steel trim is standard on all valves, for high performance in corrosive applications
- ◆ Valves and repair kits are 100% interchangeable with competing brands
- ◆ Major and minor spare parts kits are stocked
- ◆ Available with Patriot™ ultra-high-performance elastomer seats to extend life

Dim	3" Bore XXH	3" Bore Flanged	4" Bore XXH	4" Bore Flanged	4" Bore 1002
A	24	24	24	24	24
B	24.6	24.6	27.54	27.54	27.54
C	3.38	3.38	4.5	4.5	4.5
D	13	24.38	16	26.38	23.13



MR-75 HIGH PRESSURE MUD VALVE - 3 AND 4" BORE

Item No.	Part Description	Kit	3" BORE (3" XXH)	3" BORE (3" XXH) - OEM	4" BORE (5" XXH)	4" BORE (5" XXH) - OEM
1	Stem Cap		501-0750	J007411	501-0920	J015855
2	Stem Tube		501-0560	J007459	501-0910	J012852
3	Hand Wheel		501-0550	2139481-01	501-0890	J015334
4	Hand Wheel Key/Screw	Y	501-0580	JO5305-10016	501-0900	J014832
5	Relief Fitting, 1/8 NPT		N/A	N/A	601-0025	J051971
6	Bearing		N/A	J007426	601-0033	STEM SCREW W/BEARINGS J0023888
7	Stem Screw, 1040	Y	501-0590	J007416	501-0940	
8	Bolt-Housing, SAE GR 5		204-847**	J002072*	203-1281	702500-14-00-34
9	Grease Fitting, 1/8 NPT		601-0009	J005195	601-0009	J005195
10	Screw Housing, 1040		501-0610**	J007418*	501-0960	J015332
11	Screw Housing Seal, HNBR	Y	3N7-2224	J005526-226	3N7-2228	J005526-228
12	Packing Retainer		501-0640	J007413*	501-0990	J015330*
13	Retainer Screw, SHCP		N/A	N/A	205-1057	J005665-32028
14	Secondary Seal, HNBR	Y	3H9-2214	2712425-01	3H9-2216	2726268-01
15	Stem Bushing, AL-BR	Y	501-0311	STEM SEAL ASSM. J0011951-008	501-1001	STEM SEAL ASSM. J015853-008
16	Stem Seal Packing, FEPM	Y	501-0652***		501-1002***	
17	Bonnet, 4130		501-0700**	J017289-029*	501-1050	2172523-01*
18	Stem, 410SS QPQ	Y	501-0620	J024983-107	501-0970	2140684-01
19	Bonnet Seal, HNBR	XY	3H9-2361	2712787-07	3H9-2364	2712426-11
20	Gate, 410SS QPQ	XY	501-0720	2139628-02	501-1070	2139637-02
21	Body Wear Ring, 410SS QPQ	XY	501-0680	2139648-02	501-1030	2139649-02
22	Gate Clip, SS	XY	501-1020	M450505	501-1020	M450505
23	Seat, 410SS/HNBR	XY	501-0740	2139744-01	501-1090	2139746-01
24	Wear Ring Seal, HNBR	XY	3H9-2340	2712783-03	3H9-2349	2712787-04
25	Stud-Body, ASTM A193 B7		501-0760	JO02702	501-1110	2171976-11-01
26	Nut-Body, ASTM A194 2H		210-013	2709000-10-01	170-11A08-00	2709000-11-01
27	Body-Flanged End, A487 4D		501-0730**	N/A	501-1080	N/A
	Body-Weld End, A487 4D		501-0732**		501-1082	



Premium Oilfield
Technologies
Q1-3977

Premium Oilfield Technologies
10600 W. Sam Houston Pkwy North
Houston, Texas 77064
281.670.5200 ♦ premiumoilfield.com