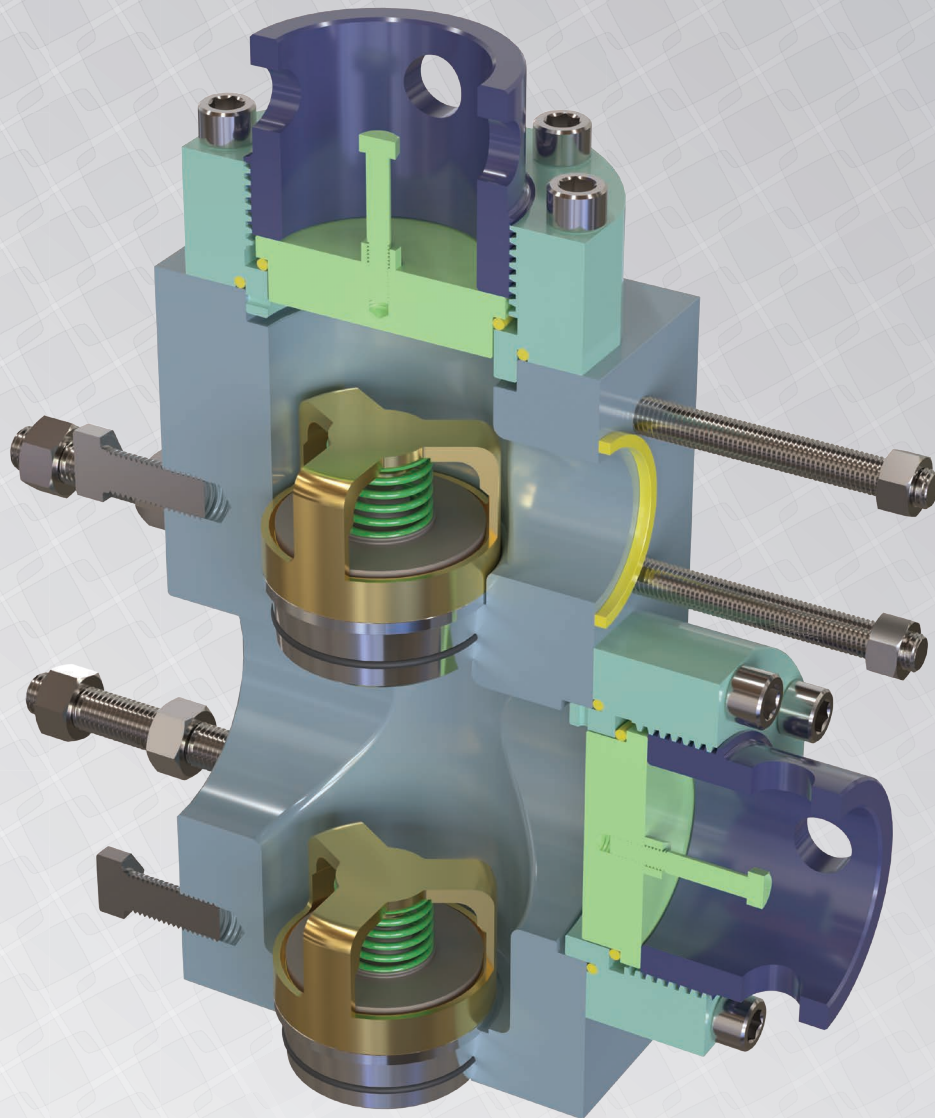
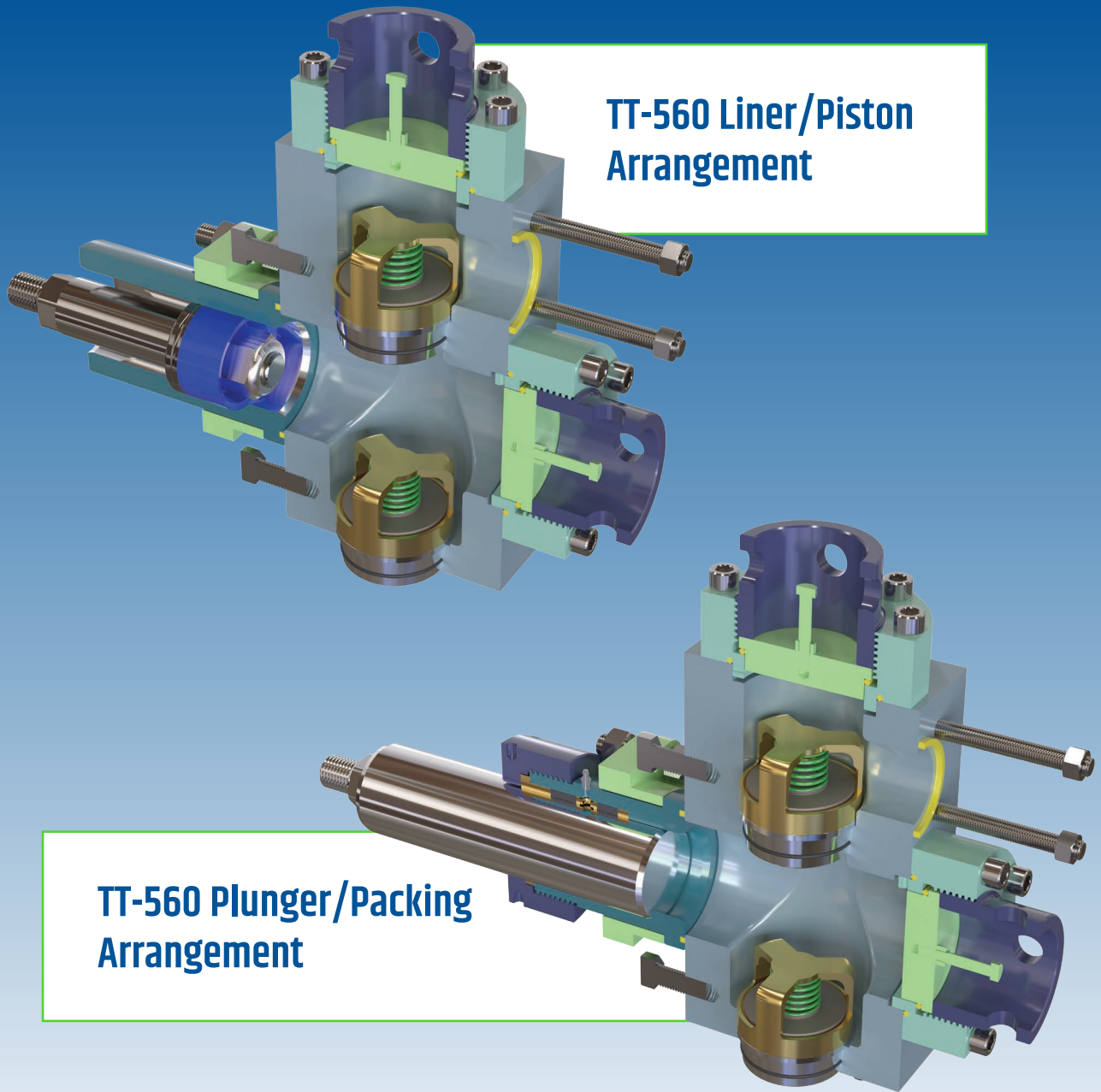


TT-560 Fluid End Parts



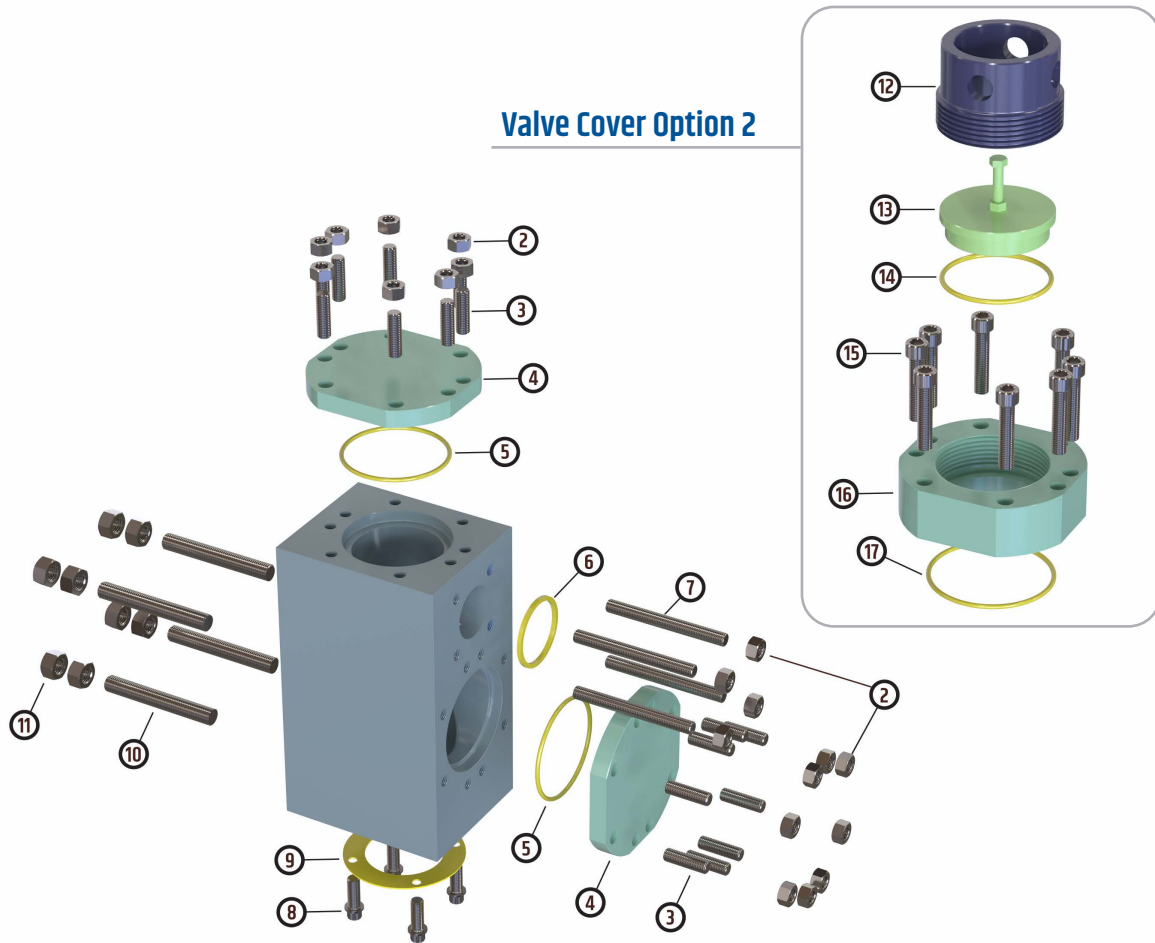
Premium Oilfield Technologies offers a complete line of fluid end modules and components that are manufactured to OEM specifications and interchangeability. Ours are machined to precise engineering tolerances. Each forging is machined and heat treated to maintain the best physical properties inside the module and on the surface, thus minimizing washing and stress cracking.



TT-560 Liner/Piston Arrangement

TT-560 Plunger/Packing Arrangement

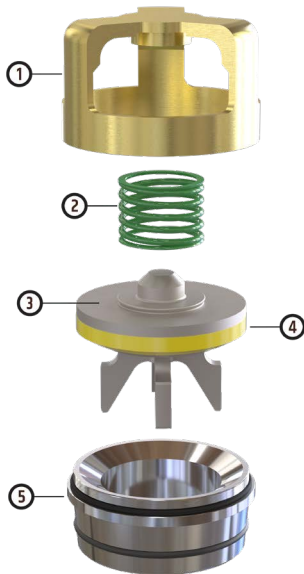
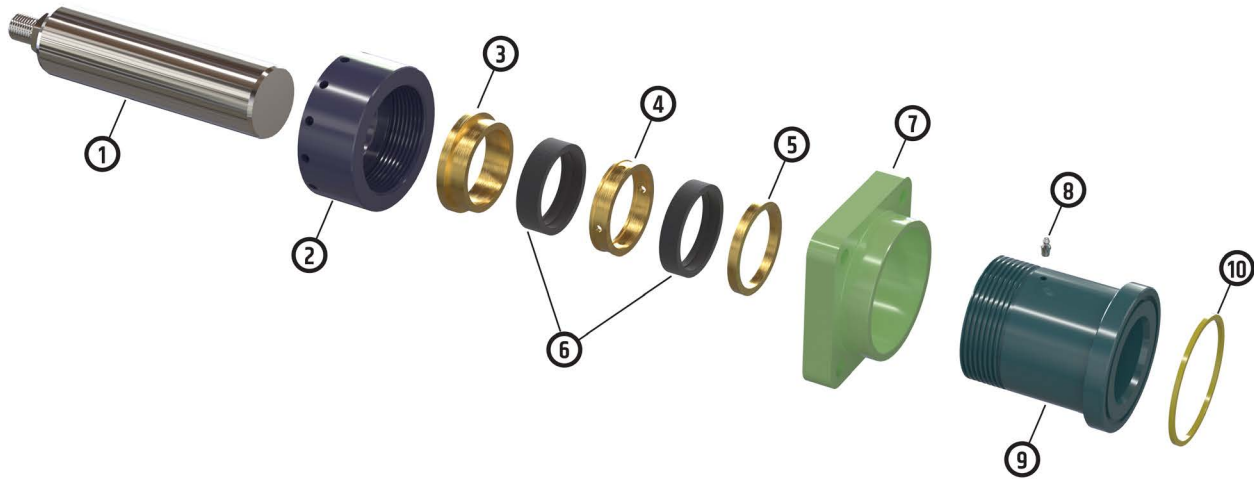
TT-560



Item	Part	QTY	Description
1	4001020A-P	3	Fluid End Module W/ Studs & Nuts TT-560
2	210-009	20	Hvy Hex Nut, 3/4"
3	1501562-P	48	Valve Cover Stud, TT-560
4	4001145-p	6	Valve Cover (Plate Style), TT-560
5	5001054-P	6	Valve Cover Gasket (Plate Style), TT-560
6	5001036-P	3	Discharge Manifold Gasket, TT-560
7	1501560-P	12	Dicharge Manifold Stud, TT-560
8	203-1265	12	Suction Manifold Capscrew, TT-560
9	5001092-P	3	Suction Manifold Gasket, TT-560
10	1501561-P	12	Power Frame Stud, TT-560
11	170-10A08-00	12	Hvy Hex Nut, 1"
Valve Cover Option 2*			
12	4001302-P	6	Valve Cover Lock, TT-560
13	4001344-P	6	Valve Cover Plug, TT-560
14	5001053-P	6	Valve Cover Gasket (Cap Style),TT-540/ TT-560
15	205-1281	48	Socket Head Capscrew, 3/4" X 3-1/2"
16	4001389-P	6	Threaded Ring, TT-560
17	5001152-P	6	Threaded Ring Seal, TT-560

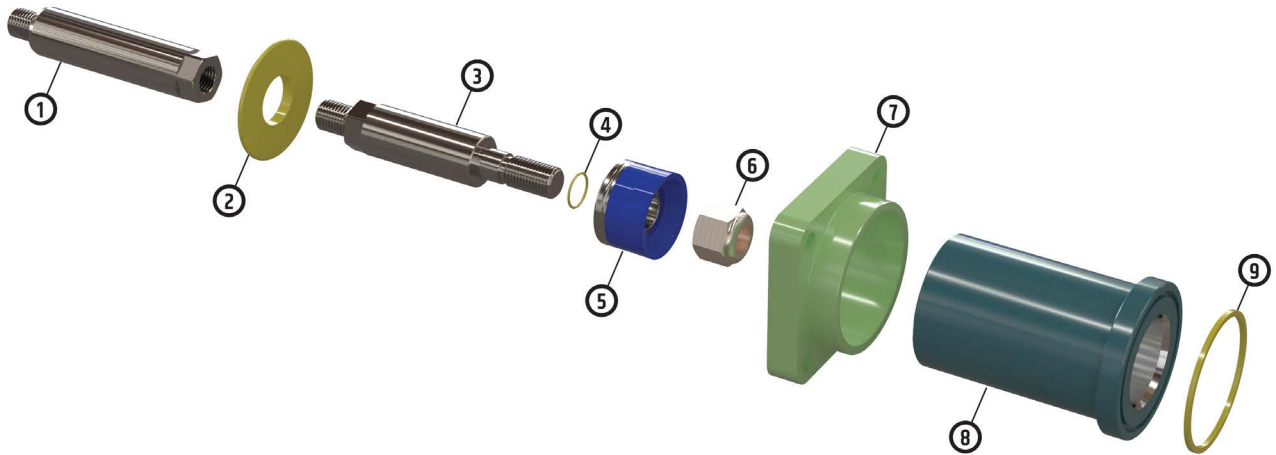
*Alternate valve cover option good for suction and discharge sides.

Item	Description	QTY	4"
Plunger Conversion Kits (Items 1-6, 8-10)			4001609-P
1	Plunger, Tungsten TT-560 4"	3	4001458-P
2	Gland Nut, 4" TT-560	3	4001313-P
3	Packing Gland, 4" TT-560	3	4001385-P
4	Lantern Ring, 4" TT-560	3	4001384-P
5	Spacer Ring, 4" TT-560	3	4001386-P
6	Plunger Packing, 4" TT-560	3	5001203-P
7	Liner/Stuffing Box Clamp, TT-560	3	4001141-P
8	Grease Zert 1/8"-27 NPT	3	601-0009
9	Stuffing Box, 4" TT-560	3	4001192-P
10	Liner/Stuffing Box Seal TT-560	3	5001040-P



Item	Description	Caliber® (Replaceable Insert)	Caliber® Bonded
	Valve Assembly (Items 1 - 5)	510-49A01-00	510-49A00-00
1	Valve Cage	510-49C00-00	
2	Valve Spring	4001100-P	
3	Valve Assembly	510-41V00-00	510-42V00-HT
4	Valve Insert	NF-4-IA	N/A
5	Valve Seat	510-49F00-03	

Item	Part	QTY	Description
1	4001085-P	3	Pony Rod, TT-560/TT-660
2	5001001-P	3	Baffle, TT-560/TT-680
3	4001081-P	3	Piston Rod C/W Nut, TT-560
4	301-0006	3	O-Ring
5	SEE CHART	3	Piston Complete (Includes Item #4)
6	170-14A06-01	3	Nut, Piston Rod
7	4001141-P	3	Liner/Stuffing Box Clamp, TT-560
8	SEE CHART	3	Liner
10	5001040-P	3	Liner/Stuffing Box Seal TT-560
8	1712064-P	3	Gasket Liner to Cylinder



Size	Liner	Piston Complete	Piston Rubber Kit	Bonded Piston
3"	TT-560-30-P	411-30K15-00	412-30K15-00	409-30N15-HT
3-1/2"	TT-560-34-P	411-34K15-00	412-34K15-00	409-34N15-HT
4"	TT-560-40-P	411-40A15-00	412-40K15-00	409-40N15-HT
4-1/2"	TT-560-44-P	411-44K15-00	412-44K15-00	409-44N15-HT
5"	TT-560-50-P	411-50B15-00	412-50B15-00	409-50N15-HT

CORPORATE

Premium Oilfield Technologies - USA

10600 W. Sam Houston Pkwy. North
Houston, TX 77064
T: +1 281.670.5200

USA MANUFACTURING & REPAIR

Patriot and Urethane

10600 W. Sam Houston Pkwy. North
Houston, TX 77064
T: +1 281.670.5228

Premium Drilling Equipment and Support

9841 Windmill Park Ln.
Houston, TX 77064
T: +1 281.670.5200

West Texas Operations - All Divisions

10207 West Industrial Ave.
Midland, TX 79706
T: +1 432.563.2328

Patriot Screens

4602 S. MacArthur Blvd.
Oklahoma City, OK 73179
T: +1 405.470.6553

NORTH AMERICA FIELD SALES, SERVICES AND REPAIR OFFICES

California / Colorado / Louisiana / New Mexico / North Dakota / Oklahoma / Pennsylvania / Texas / Utah
Wyoming / Leduc, Alberta

INTERNATIONAL

KUWAIT

Premium Oilfield Technologies
P.O. Box 721
Yarmouk, Kuwait 72658
T: +965 99679126
T: +965 66022296

UAE

Premium Oilfield Technologies Trading LLC
P.O. Box 89561
Dubai, UAE
T: +971 55 889 7210
T: +971 56 986 3834

INDIA

PMR Mud Riggers India Private Limited
S-Block-232, MIDC
Bhosari, Pune MH 411026
India

UAE

Premium Oilfield Technologies FZE Top Drive Solutions
S700, PLOT S30229
Jebel Ali Free Zone (South)
P.O. Box 262263
Dubai, UAE
T: +971 4 889 4897
T: +971 506587570

SAUDI ARABIA

Premium Mud Pumps Trading Est.
P.O. Box 956
Dammam, KSA
Postal Code: 31951
T: +966 50 0157516

UAE

Premium Oilfield Technologies FZE Mud Pump Solutions
S700, PLOT S30229
Jebel Ali Free Zone (South)
P.O. Box 262263
Dubai, UAE
T: +971 4 889 4897
T: +971 558897210



Premium Oilfield Technologies
Q1-3977
ISO 9001:2015
Certificate Number: 5028



sales@premiumoilfield.com
premiumoilfield.com

110524

SUR·LOCK

CALIBER

TRU·FLOW

PATRIOT™



LOGAN
Power Swivel