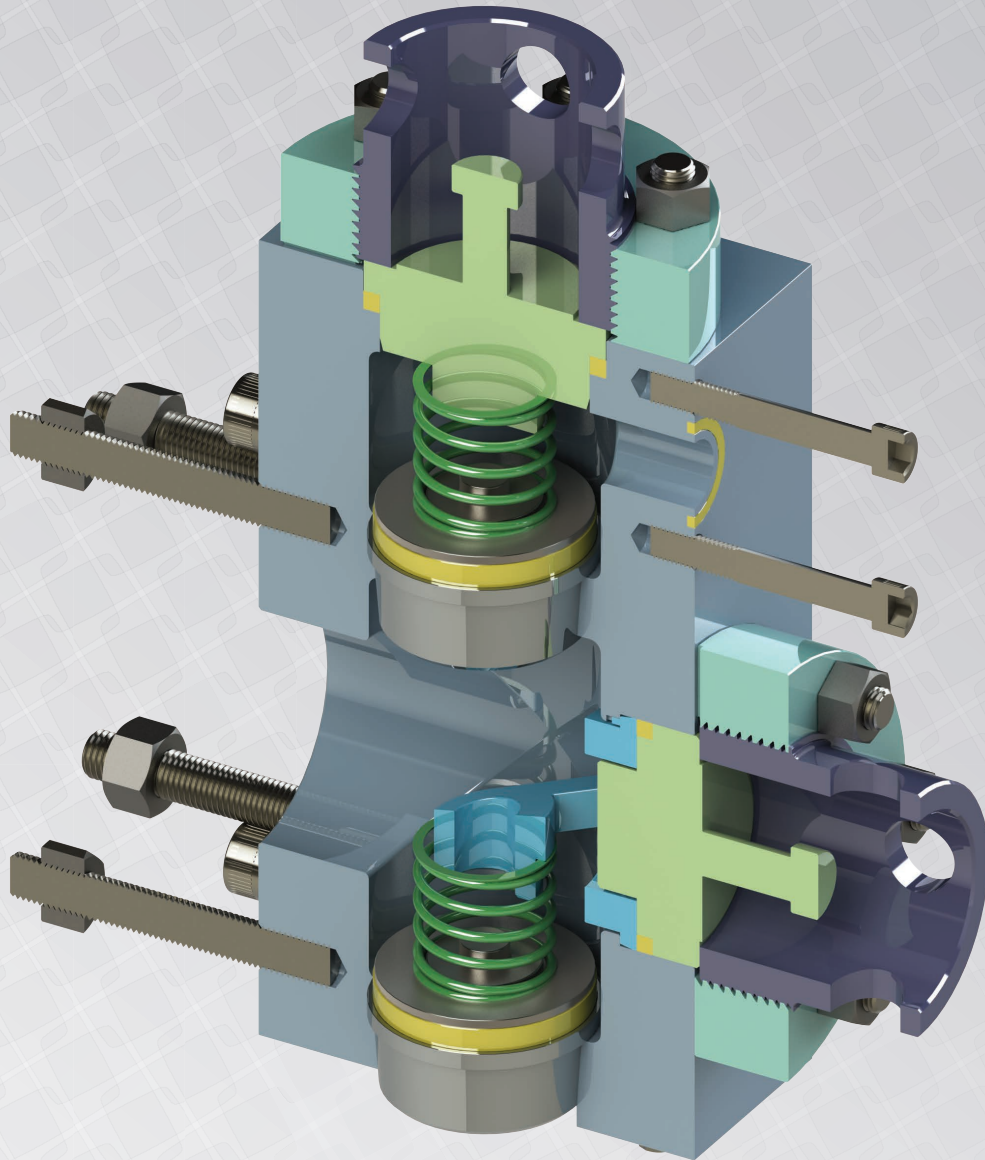
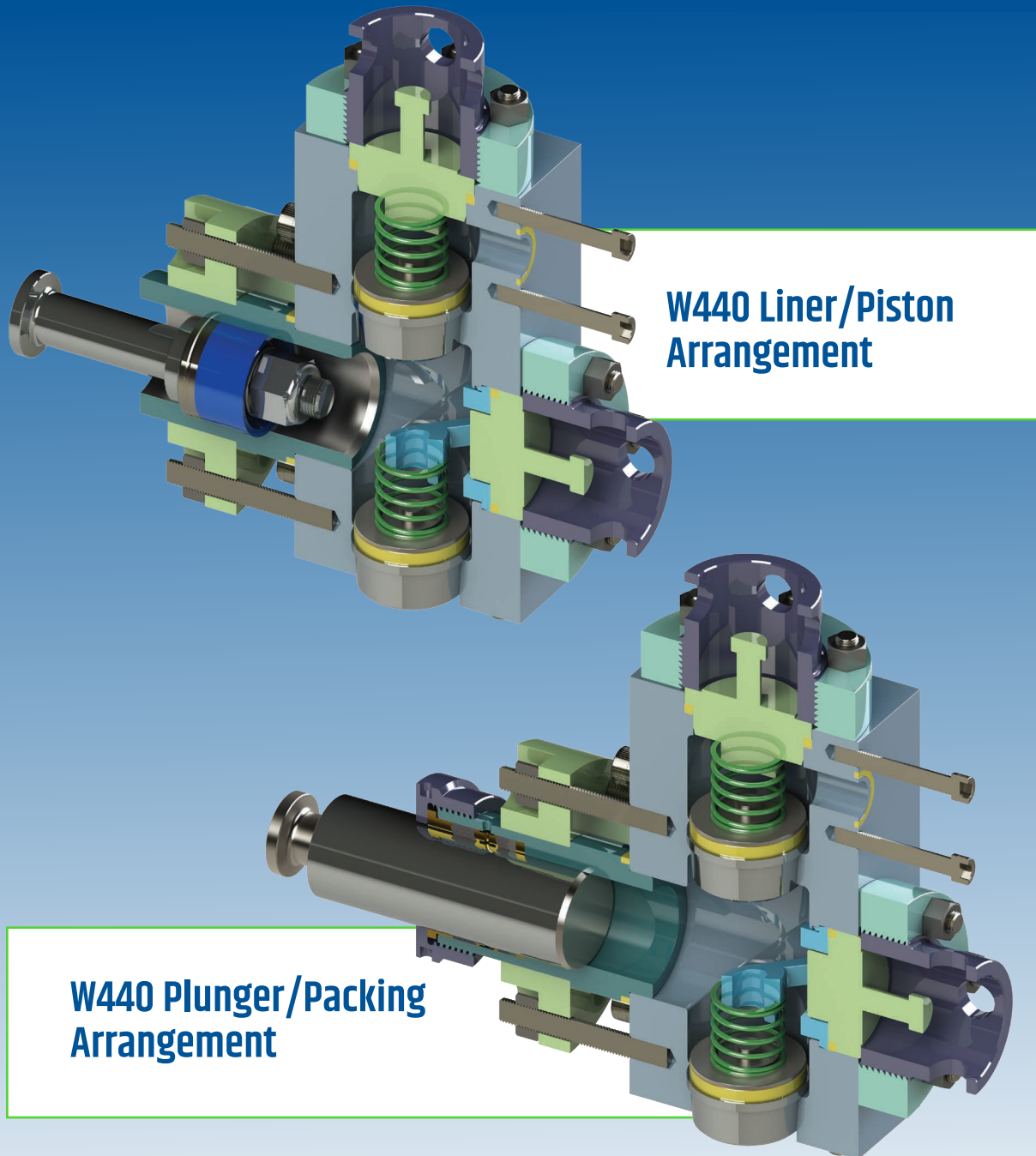


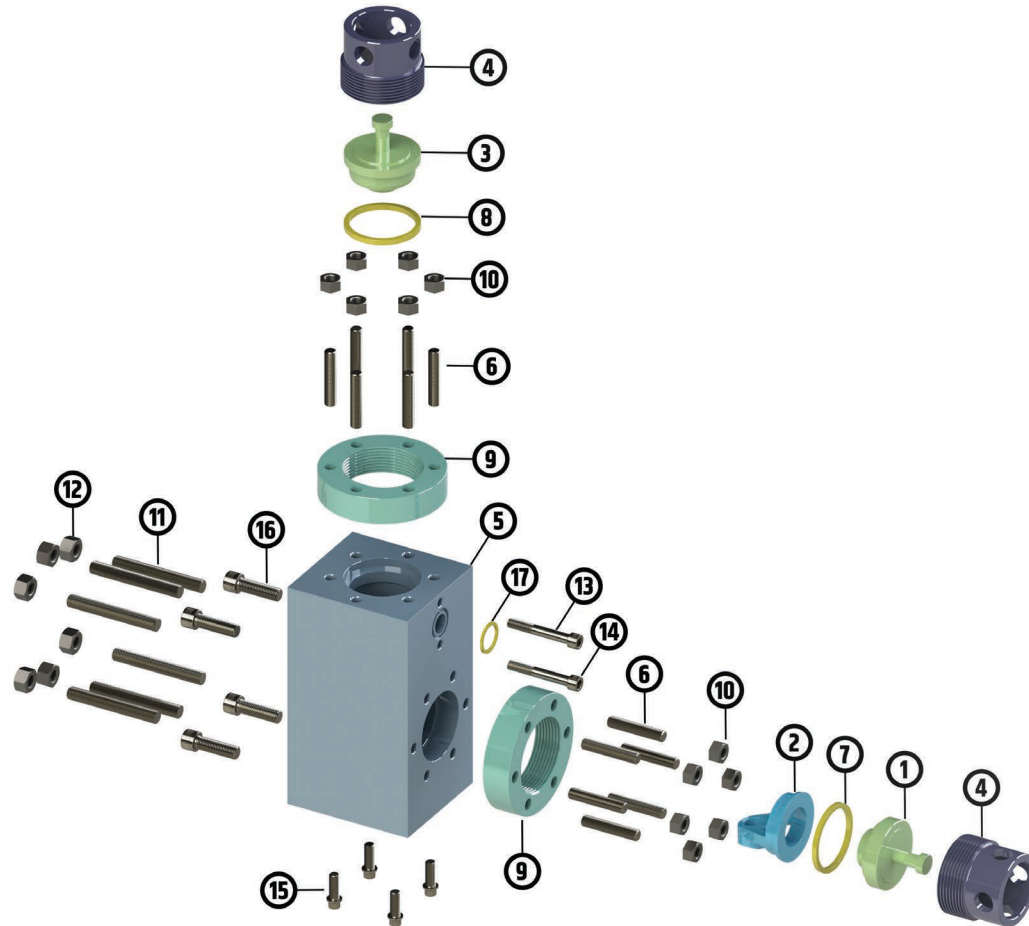
# W-440 Fluid End Parts



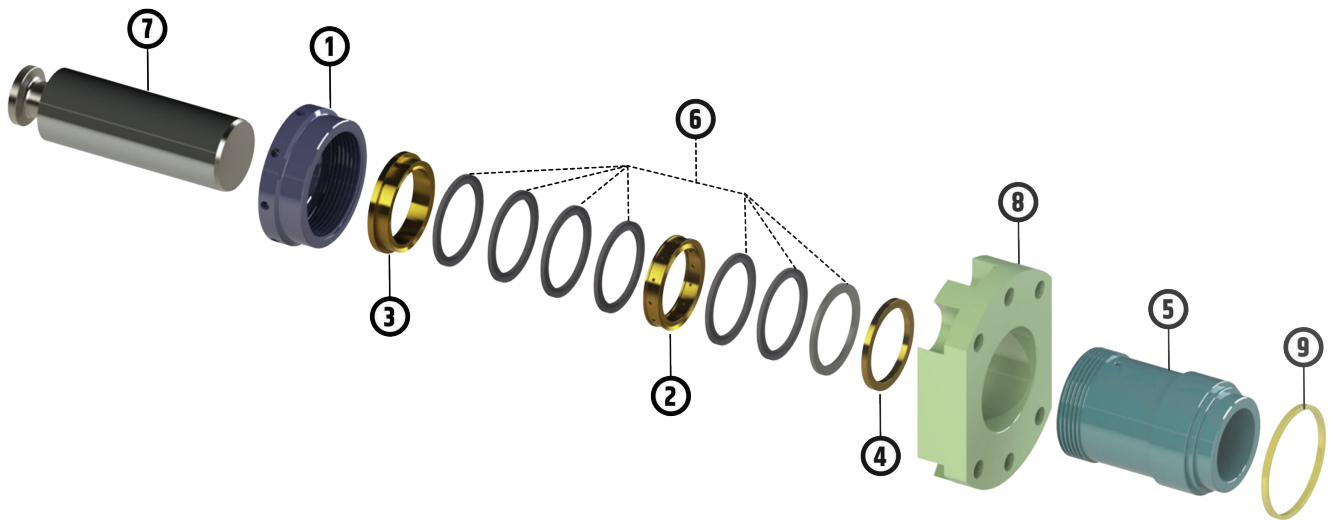
**Premium Oilfield Technologies** offers a complete line of fluid end modules and components that are manufactured to OEM specifications and interchangeability. Our modules are machined to precise engineering tolerances. Each forging is machined and heat treated to maintain the best physical properties inside the module and on the surface, thus minimizing washing and stress cracking.



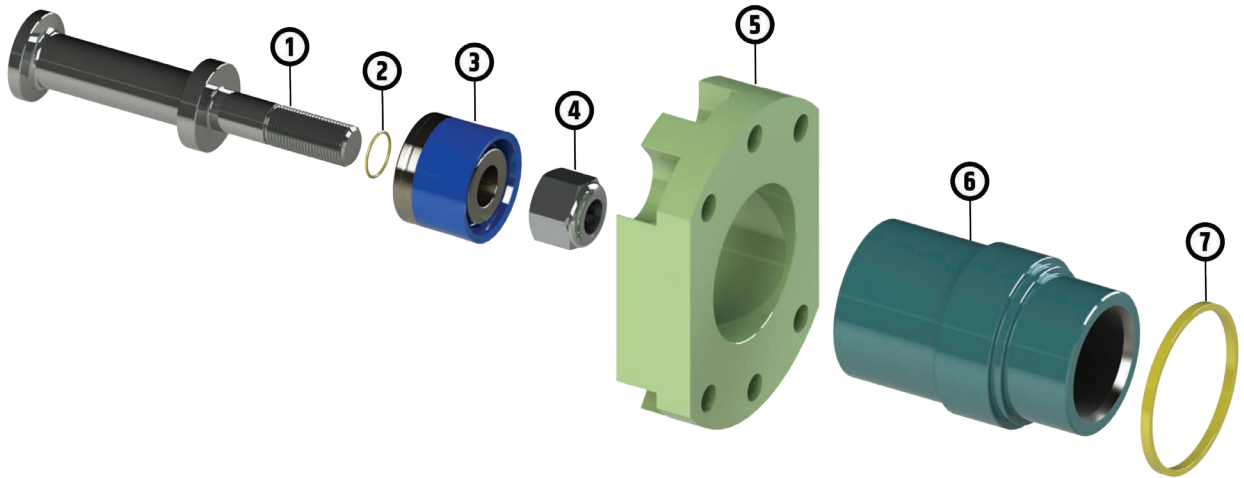
# W440 Fluid End



Item #	Part #	QTY	Description
	<b>D-440003</b>	<b>3</b>	<b>Module, studded, W-440 (includes items 5 and 9 thru 14)</b>
1	B-440309	3	Plug, Cylinder Head, W-440
2	B-440321	3	Guide, Lower Valve, W-440
3	B-440323	3	Plug, Valve Cover, W-440
4	B-440343	6	Cover, Valve, W-440
5	D-440003-NS	3	Module, Unstudded W-440
6	D-440342	6	Flange, Valve Cover, W-440
7	W-440.01.001	3	Gasket, Cylinder Head, W-440
8	W-440.01.010	3	Gasket, Valve Cover, W-440
9	W-440.01.011	36	Valve Cover Stud
10	W-440.01.012	36	Hvy Hex Nut
11	W-440.01.005	12	Liner Retainer Stud
12	W-440.01.006	12	Hvy Hex Nut
13	W-440.01.013	6	Discharge Manifold Stud
14	W-440.01.014	6	Hvy Hex Nut
15	W0101	12	Suction Manifold Screw
16	W-440.01.009	12	Module To Frame Screw
17	EO-103-P	3	Discharge Manifold O-Ring, W440
18	3N9-2361	3	Suction Manifold O-Ring, W440 (not shown)



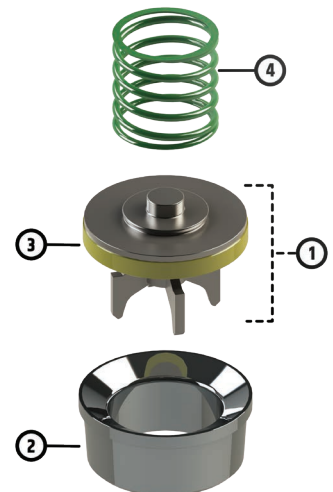
Item #	Description	QTY	4"***
1	Packing Nut W-440	1	440SB2-P
2	Lantern Ring W-440	1	440SB6-P
3	Gland Ring W-440	1	440SB5-P
4	Specer Ring W-440	1	440SB7-P
5	Stuffing Box W-440	1	440SB1-P
6	Packing Set W-440	1	440SB4X5-P
7	Plunger W-440	1	440SB3-P
8	Retainer Ring, W-440	1	B-440322
9	Liner/Stuffing Box Gasket	1	W-440.01.008



Item #	Part Number	Qty	Description
1	B-440308	3	Rod, Piston, W-440, CS
2	3N7-2215	3	O-Ring
3	See Chart	3	Piston Complete (includes item #2)
4	7403224-P	3	Nut, Piston Rod
5	B-440332	3	Ring, Liner Retainer, W-440
6	See Chart	3	Liner
7	W-440.01.008	3	Gasket, Liner, W-440, NBR

Size	Liner	Piston Complete	Piston Rubber Kit	Bonded Piston
3"	100-74C30-00	411-30A10-00	412-30A10-00	409-30A10-HT
3-1/2"	100-74C34-00	411-34K10-00	412-34K15-00	409-34N10-HT
4"	100-74C40-00	411-40K10-00	412-40K15-00	409-40N10-HT
4-1/2"	100-74C44-00	411-44K10-00	412-44K15-00	409-44N10-HT

Item#		Caliber® (Replaceable Insert)	Caliber®
1	Valve Assembly	510-41V00-00	510-42V00-HT
2	Valve Seat	510-46S00-05	
3	Valve Insert	NF-4-IA-P	N/A
4	Valve Spring	5710-33	



## CORPORATE

### Premium Oilfield Technologies - USA

10600 W. Sam Houston Pkwy. North  
Houston, TX 77064  
T: +1 281.670.5200

## MANUFACTURING & REPAIR

### Premium Drilling Equipment and Support

9841 Windmill Park Ln.  
Houston, TX 77064  
T: +1 281.670.5200

### Patriot and Urethane

10600 W. Sam Houston Pkwy. N.  
Houston, TX 77064  
T: +1 281.670.5228

### West Texas Operations All Divisions

10207 West Industrial Ave.  
Midland, TX 79706  
T: +1 432.563.2328

### Patriot Screens

4602 S. MacArthur Blvd.  
Oklahoma City, OK 73179  
T: +1 405.470.6553

### Canada Operations All Divisions

107-6704-41 Street  
Leduc, Alberta  
Canada T9E 0Z4  
T: +1 877.593.0034

## FIELD SALES, SERVICES AND REPAIR OFFICES

California / Colorado / Louisiana / New Mexico / North Dakota / Oklahoma / Pennsylvania / Texas / Utah / Wyoming

## INTERNATIONAL

### KUWAIT

**Premium Oilfield Technologies**  
P.O. Box 721  
Yarmouk, Kuwait 72658  
T: +965 99679126  
T: +965 66022296

### UAE

**Premium Oilfield Technologies Trading LLC**  
P.O. Box 89561  
Dubai, UAE  
T: +971 55 889 7210  
T: +971 56 986 3834

### INDIA

**PMR Mud Riggers India Private Limited**  
S-Block-232, MIDC  
Bhosari, Pune MH 411026  
India

### UAE

**Premium Oilfield Technologies FZE Top Drive Solutions**  
S700, PLOT S30229  
Jebel Ali Free Zone (South)  
P.O. Box 262263  
Dubai, UAE  
T: +971 4 889 4897  
T: +971 506587570

### SAUDI ARABIA

**Premium Mud Pumps Trading Est.**  
P.O. Box 956  
Dammam, KSA  
Postal Code: 31951  
T: +966 50 0157516

### UAE

**Premium Oilfield Technologies FZE Mud Pump Solutions**  
S700, PLOT S30229  
Jebel Ali Free Zone (South)  
P.O. Box 262263  
Dubai, UAE  
T: +971 4 889 4897  
T: +971 558897210



Premium Oilfield Technologies  
Q1-3977  
ISO 9001:2015  
Certificate Number: 5028



[sales@premiumoilfield.com](mailto:sales@premiumoilfield.com)  
[premiumoilfield.com](http://premiumoilfield.com)

121124

**SUR·LOCK**

**CALIBER**

**TRU·FLOW**

**PATRIOT™**



**LOGAN**  
Power Swivel