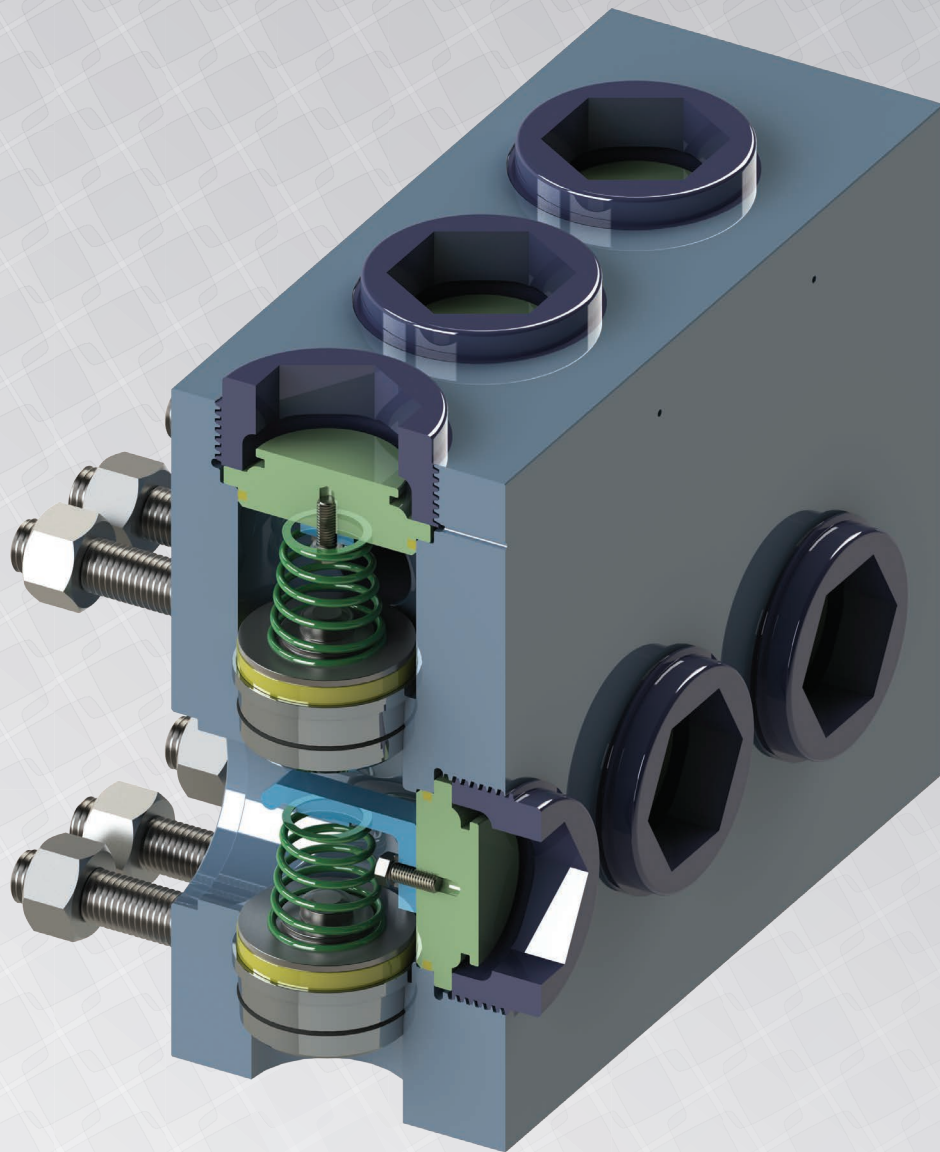
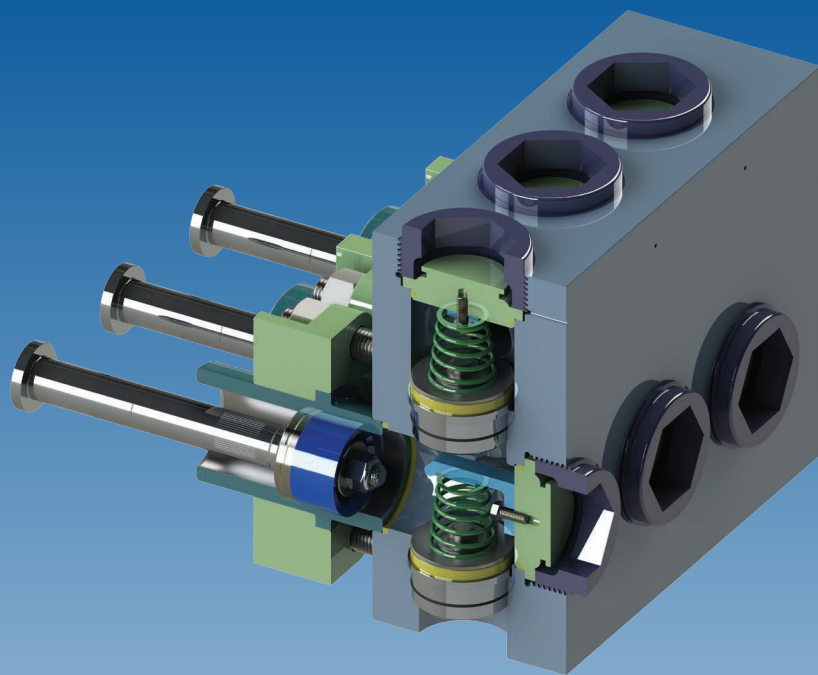


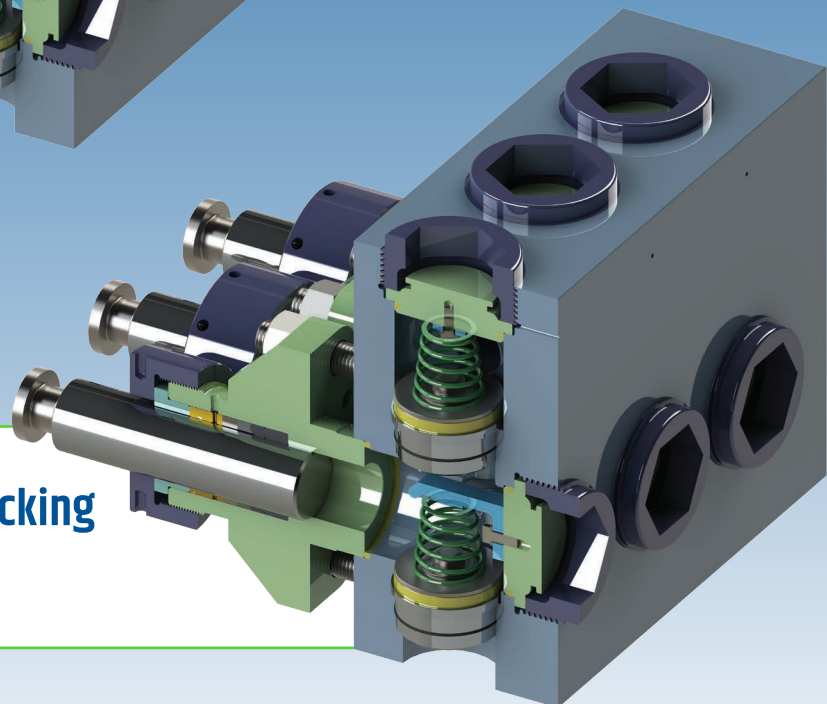
# JWS 340 Fluid End Parts



**Premium Oilfield Technologies** offers a complete line of fluid end modules and components that are manufactured to OEM specifications and interchangeability. Ours are machined to precise engineering tolerances. Each forging is machined and heat treated to maintain the best physical properties inside the module and on the surface, thus minimizing washing and stress cracking.

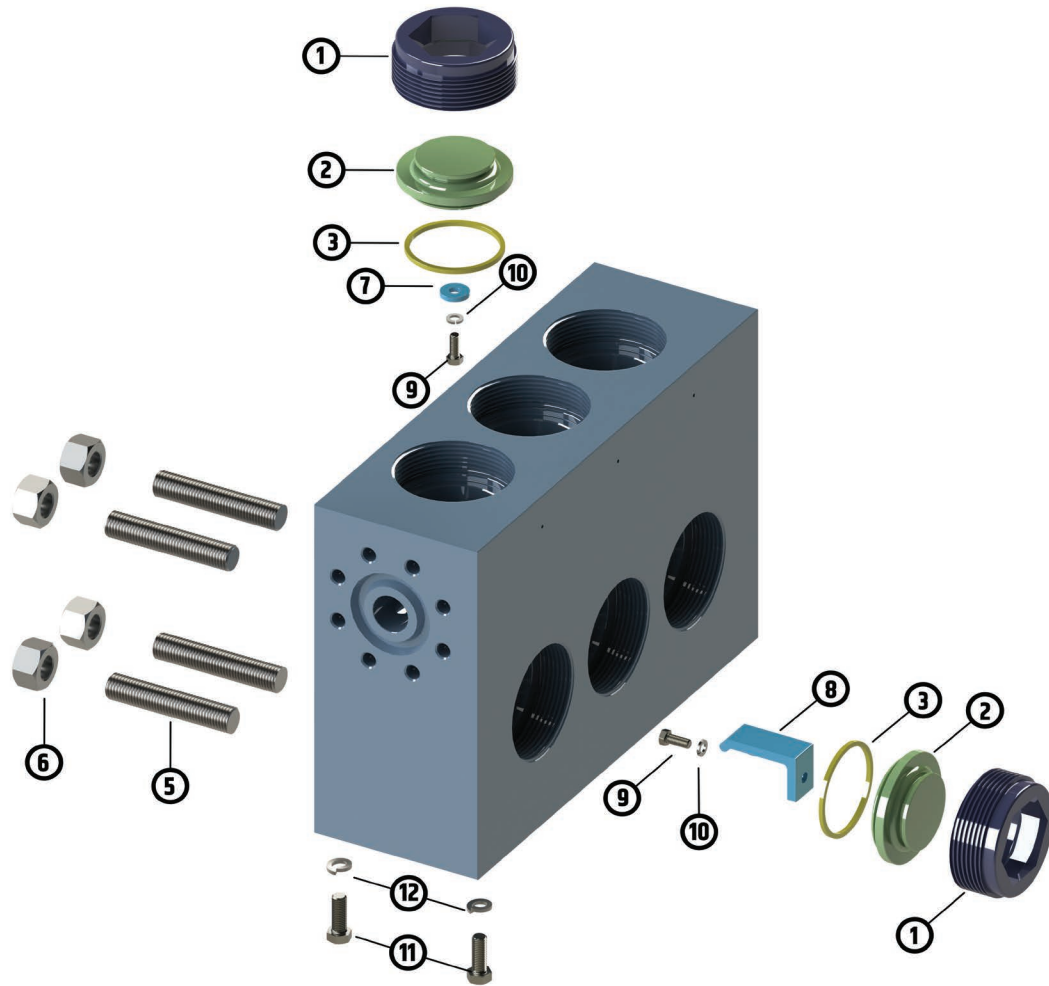


**JWS340 Liner/Piston Arrangement**



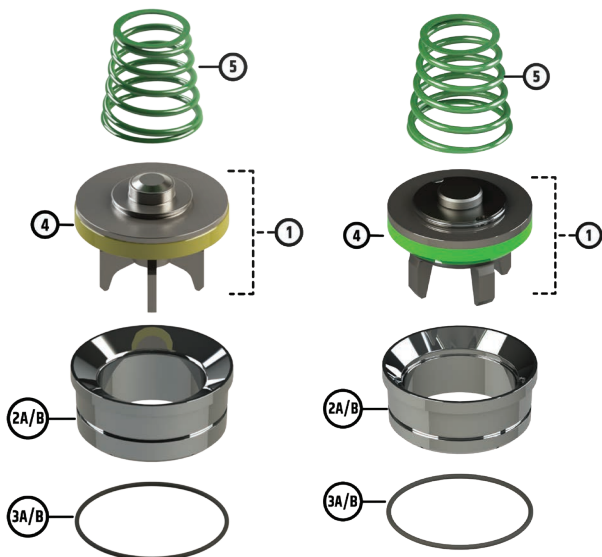
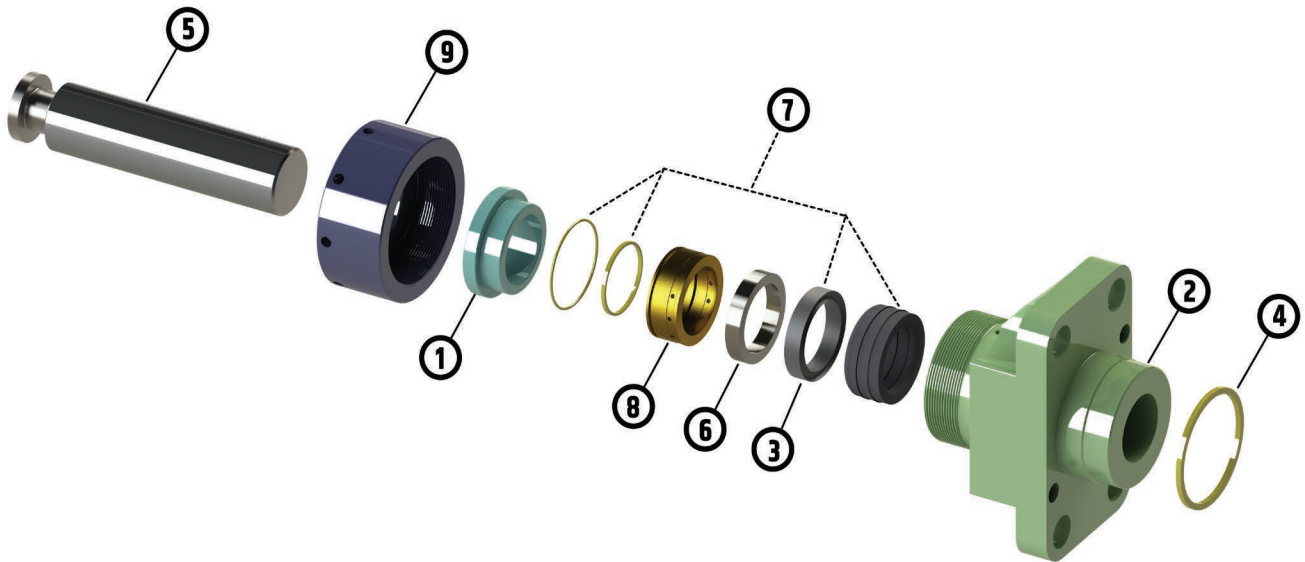
**JWS340 Plunger/Packing Arrangement**

# JWS Fluid End



Item	Part	QTY	Description
	<b>171719612A-P</b>	<b>1</b>	<b>Fluid End Module C/W Studs (butress thread) JWS340 (Includes items 4 thru 6)</b>
1	1718253-12-P	6	Threaded Cover - Top and Front (Butress Thread) JWS 340
2	1718256-12-P	6	Plate - Top and Front (Butress Thread) JWS 340
3	1718265-P	6	Valve Cover Gasket - Top and Front JWS 340
4	171719612-P	1	Fluid End Module, Unstudded (Butress Thread) JWS 340
5	10032367-P	12	Stud, Cylinder to Frame JWS 340
6	6300220-P	12	Nut, Cylinder to Frame & Liner Clamp JWS 340
7	1718268-P	3	Discharge Spring Retainer JWS 340
8	1718267-P	3	Suction Valve Spring Bracket
9	7000304-11-P	6	HX HD Capscrew, 1/2" X 1-1/4"
10	7619050-P	6	1/2" Lock Washer
11	7000444-11-P	3	Suction Manifold Screw
12	7619066-P	3	Suction Manifold Screw Washer
13	08406001-P	3	Suction Manifold Gasket JWS 340 (not shown)

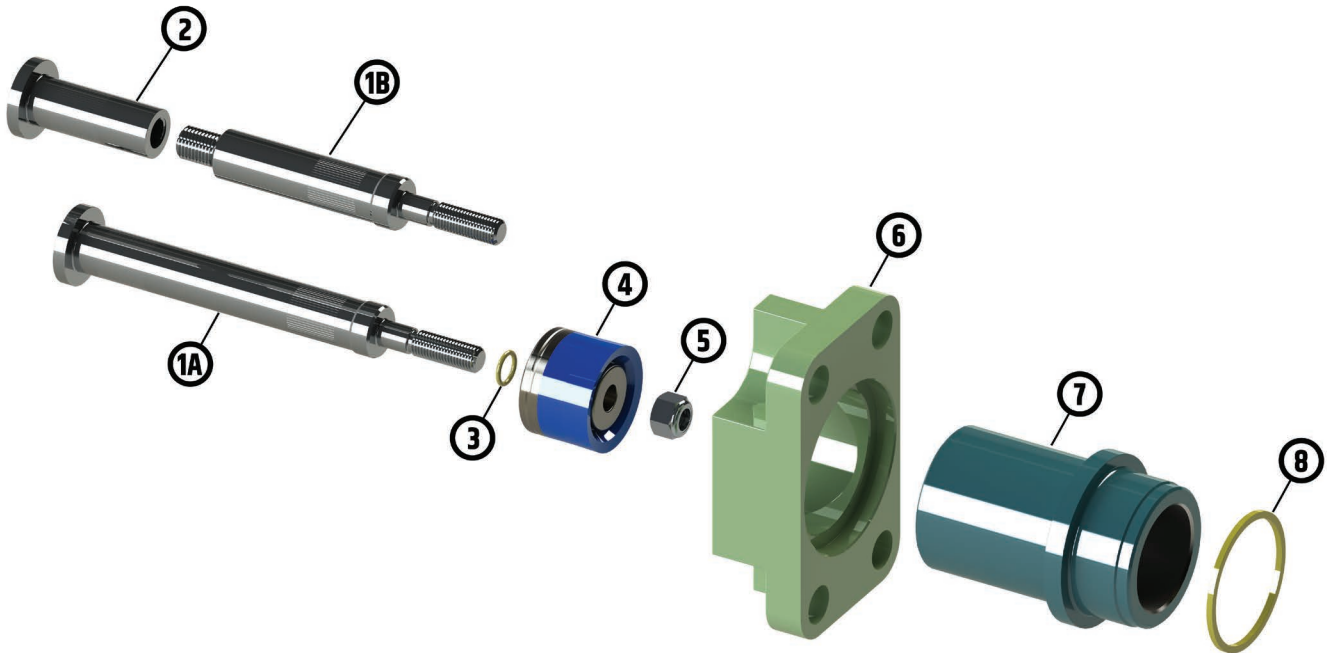
Item	Description	QTY	4"	3-1/2"
1	Gland	3	G-1717767-2-P	G-1717765-2-P
2	Stuffing Box	3	G-1717837-1-P	G-1717835-1-P
3	Adapter	3	G-1717787-2-P	G-1717785-2-P
4	Gasket	3	1712064-P	
5	Plunger	3	340-204-P	340-010-P
6	Washer	3	G-1717797-2-P	G-1717795-2-P
7	Packing Set	3	G6400040-P	G6400038-P
8	Lube Ring	3	G-1717777-2-P	G-1717775-2-P
9	Adjusting Nut	3	G-1717743-2-P	G-1717835-1-P



Item		Caliber® (Replaceable Insert)	Caliber®	G2 Style
1	Valve Assembly	510-41V00-00	510-42V0-HT	1561575-P
2A	Valve Seat (Suction)	510-49F00-17		1561571-P
2B	Valve Seat (Discharge)	510-49F00-18		1561572-P
3A	Valve Seat O-Ring (Suction)	3N7-2240		
3B	Valve Seat O-Ring (Discharge)	3N7-2244		
4	Valve Insert	NF-4-IA-P	N/A	1561577-P
5	Valve Spring	G1560697-P		



Item	Part	QTY	Description
1A	1713877-P	3	Piston Rod C/W Nut (includes item #4) JWS 340
1B	1717294-P	3	Piston Rod (2 piece) C/W Nut (includes item #4) JWS340
2	1717295-P	3	Sub Rod JWS340
3	3N7-2214	3	O-Ring
4	SEE CHART	3	Piston Complete (includes item #2)
5	7403224-P	3	Nut, Piston Rod
6	1716034-P	3	Clamp-liner JWS340
7	SEE CHART	3	Liner
8	1712064-P	3	Gasket Liner to Cylinder



Size	Liner	Piston Complete	Piston Rubber Kit	Bonded Piston
3"	0240-30-P	411-30A10-00	412-30A10-00	409-30N10-HT
3-1/2"	0240-34-P	411-34A10-00	412-34A10-00	409-34N10-HT
4"	0240-40-P	411-40K10-00	412-40K15-00	409-40N10-HT
4-1/2"	0240-44-P	411-44K15-00	412-44K15-00	409-44N10-HT
5"	0240-50-P	411-50B15-00	412-50B15-00	409-50N10-HT

## CORPORATE

### Premium Oilfield Technologies - USA

10600 W. Sam Houston Pkwy. North  
Houston, TX 77064  
T: +1 281.670.5200

## USA MANUFACTURING & REPAIR

### *Patriot and Urethane*

10600 W. Sam Houston Pkwy. North  
Houston, TX 77064  
T: +1 281.670.5228

### *Premium Drilling Equipment and Support*

9841 Windmill Park Ln.  
Houston, TX 77064  
T: +1 281.670.5200

### *West Texas Operations - All Divisions*

10207 West Industrial Ave.  
Midland, TX 79706  
T: +1 432.563.2328

### *Patriot Screens*

4602 S. MacArthur Blvd.  
Oklahoma City, OK 73179  
T: +1 405.470.6553

## NORTH AMERICA FIELD SALES, SERVICES AND REPAIR OFFICES

California / Colorado / Louisiana / New Mexico / North Dakota / Oklahoma / Pennsylvania / Texas / Utah  
Wyoming / Leduc, Alberta

## INTERNATIONAL

### KUWAIT

**Premium Oilfield Technologies**  
P.O. Box 721  
Yarmouk, Kuwait 72658  
T: +965 99679126  
T: +965 66022296

### UAE

**Premium Oilfield Technologies Trading LLC**  
P.O. Box 89561  
Dubai, UAE  
T: +971 55 889 7210  
T: +971 56 986 3834

### INDIA

**PMR Mud Riggers India Private Limited**  
S-Block-232, MIDC  
Bhosari, Pune MH 411026  
India

### UAE

**Premium Oilfield Technologies FZE Top Drive Solutions**  
S700, PLOT S30229  
Jebel Ali Free Zone (South)  
P.O. Box 262263  
Dubai, UAE  
T: +971 4 889 4897  
T: +971 506587570

### SAUDI ARABIA

**Premium Mud Pumps Trading Est.**  
P.O. Box 956  
Dammam, KSA  
Postal Code: 31951  
T: +966 50 0157516

### UAE

**Premium Oilfield Technologies FZE Mud Pump Solutions**  
S700, PLOT S30229  
Jebel Ali Free Zone (South)  
P.O. Box 262263  
Dubai, UAE  
T: +971 4 889 4897  
T: +971 558897210



Premium Oilfield Technologies  
Q1-3977  
ISO 9001:2015  
Certificate Number: 5028



[sales@premiumoilfield.com](mailto:sales@premiumoilfield.com)  
[premiumoilfield.com](http://premiumoilfield.com)

110524

**SUR·LOCK**

**CALIBER**

**TRU·FLOW**

**PATRIOT™**



**LOGAN**  
Power Swivel