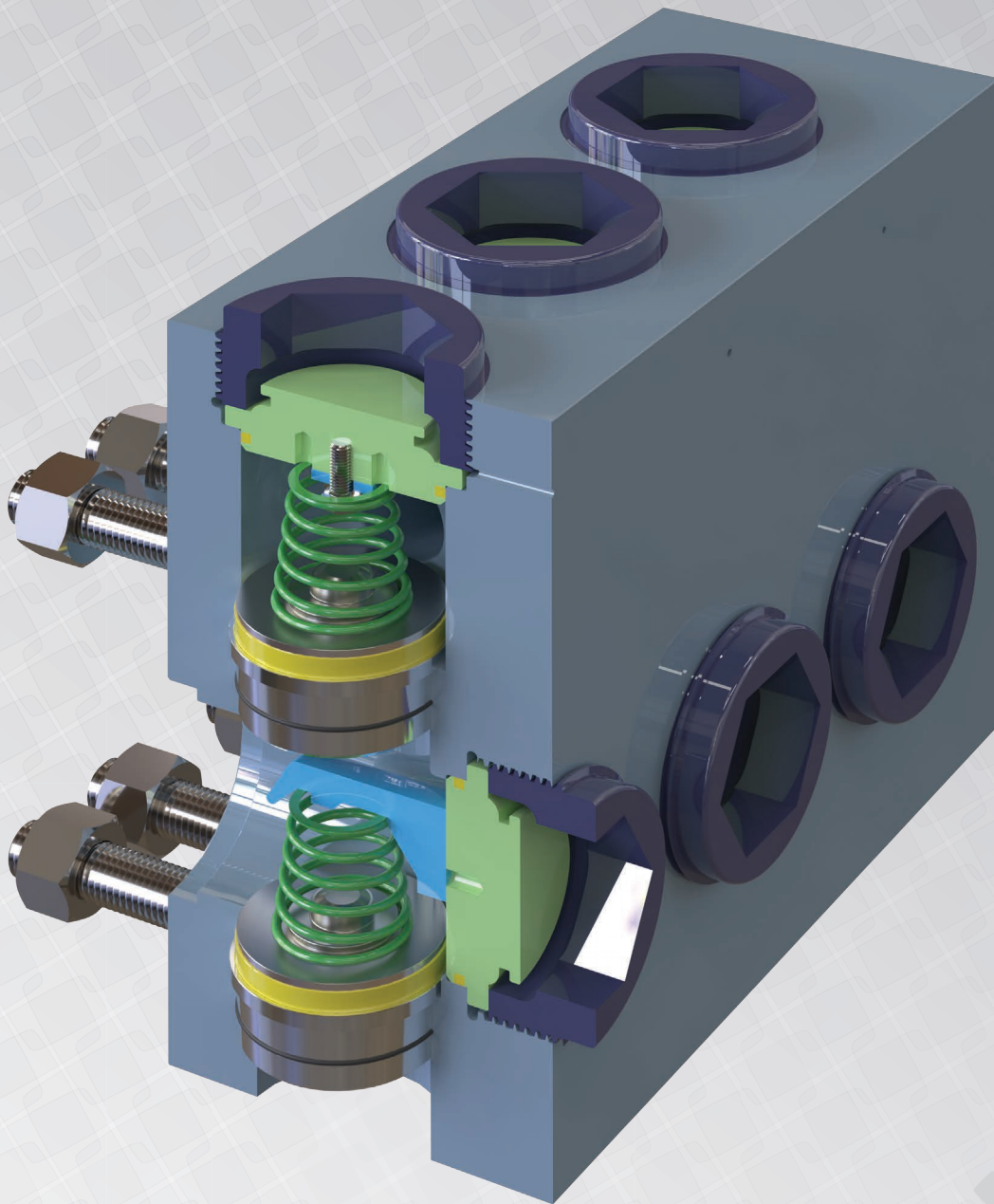
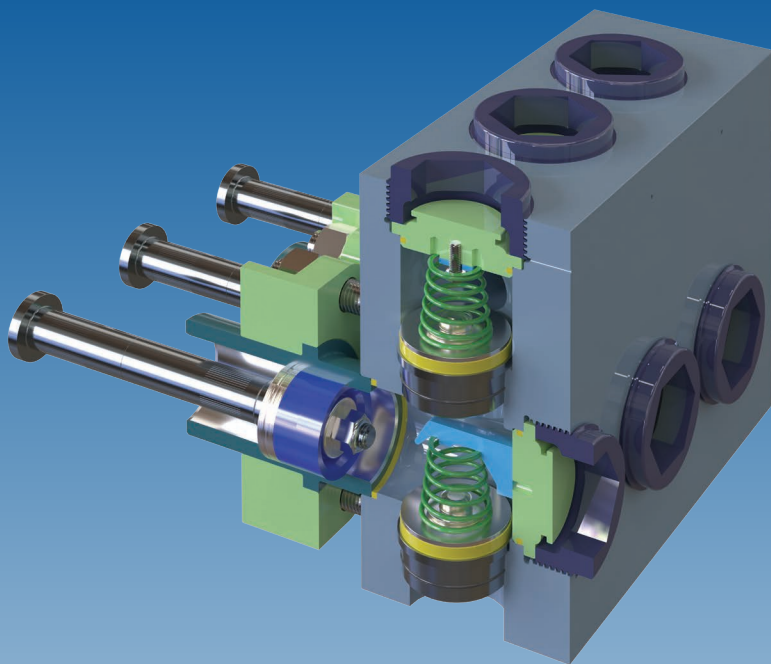


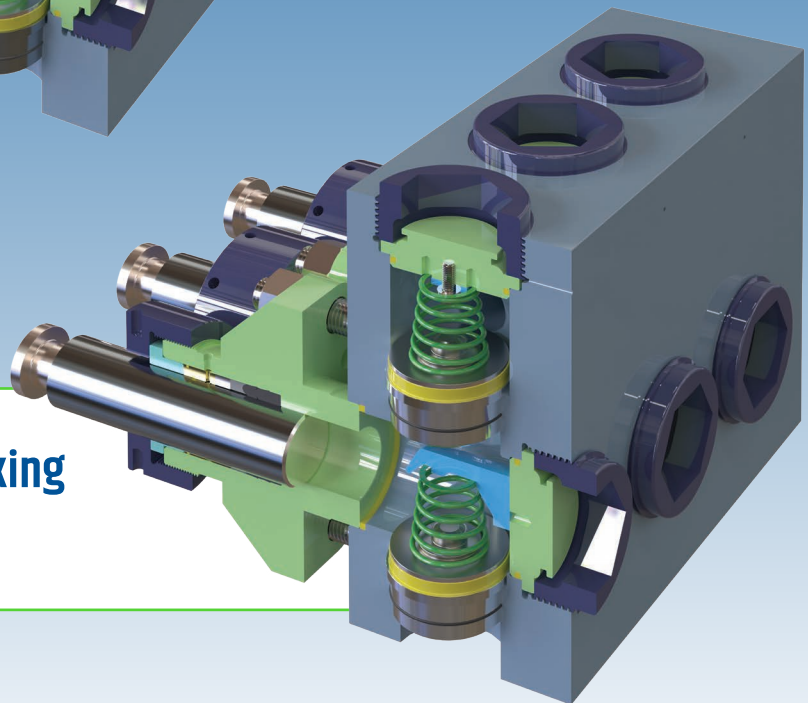
JWS 340 Fluid End Parts



Premium Oilfield Technologies offers a complete line of fluid end modules and components that are manufactured to OEM specifications and interchangeability. Ours are machined to precise engineering tolerances. Each forging is machined and heat treated to maintain the best physical properties inside the module and on the surface, thus minimizing washing and stress cracking.

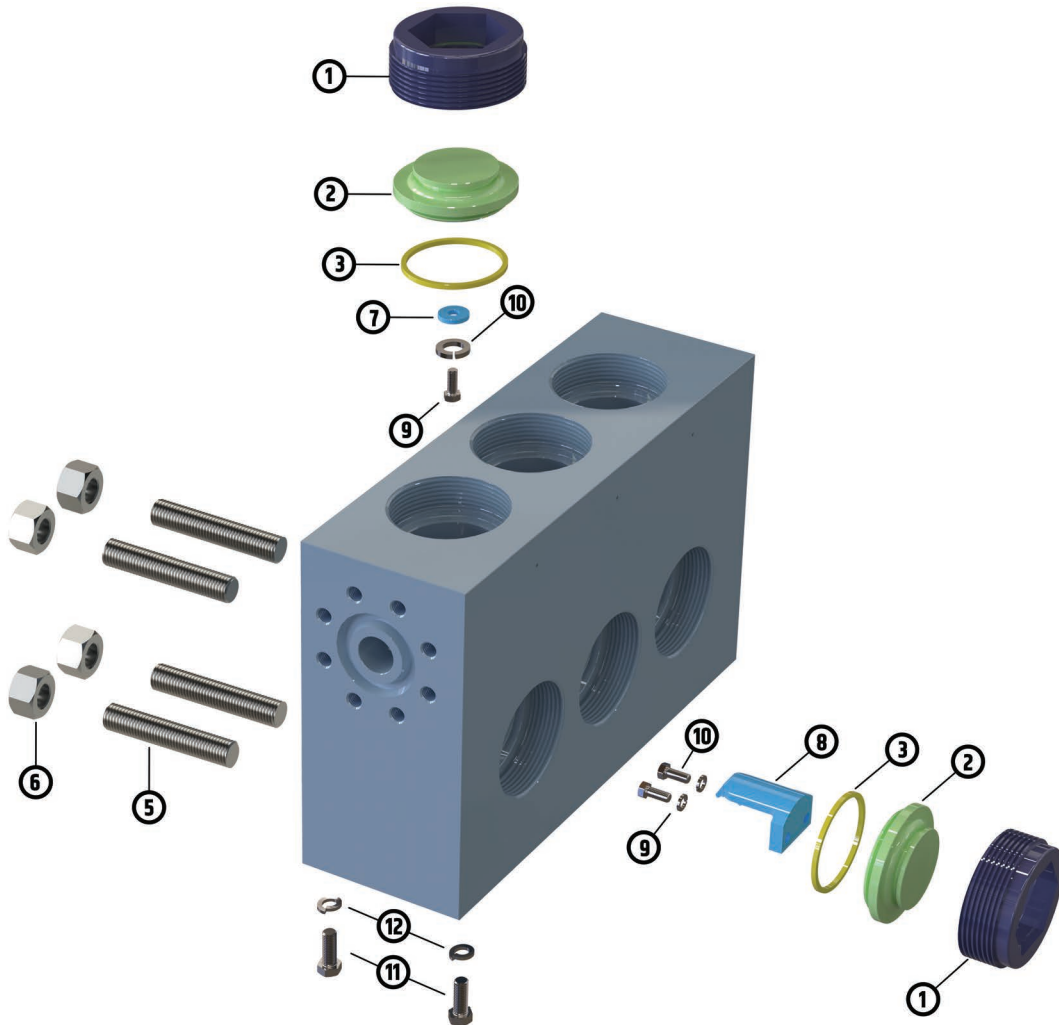


JWS340 Liner/Piston Arrangement



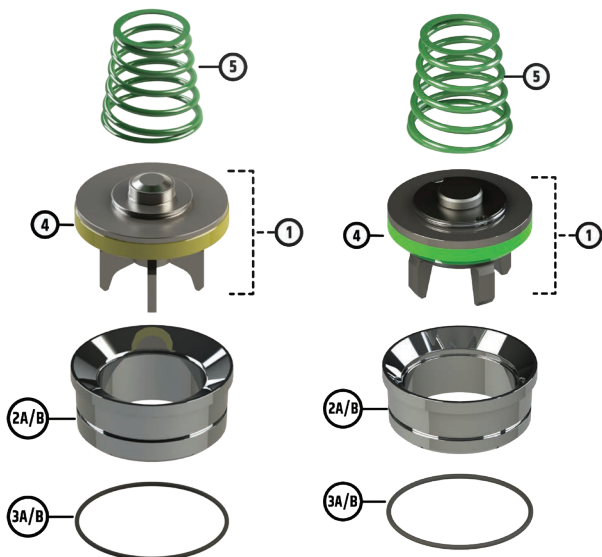
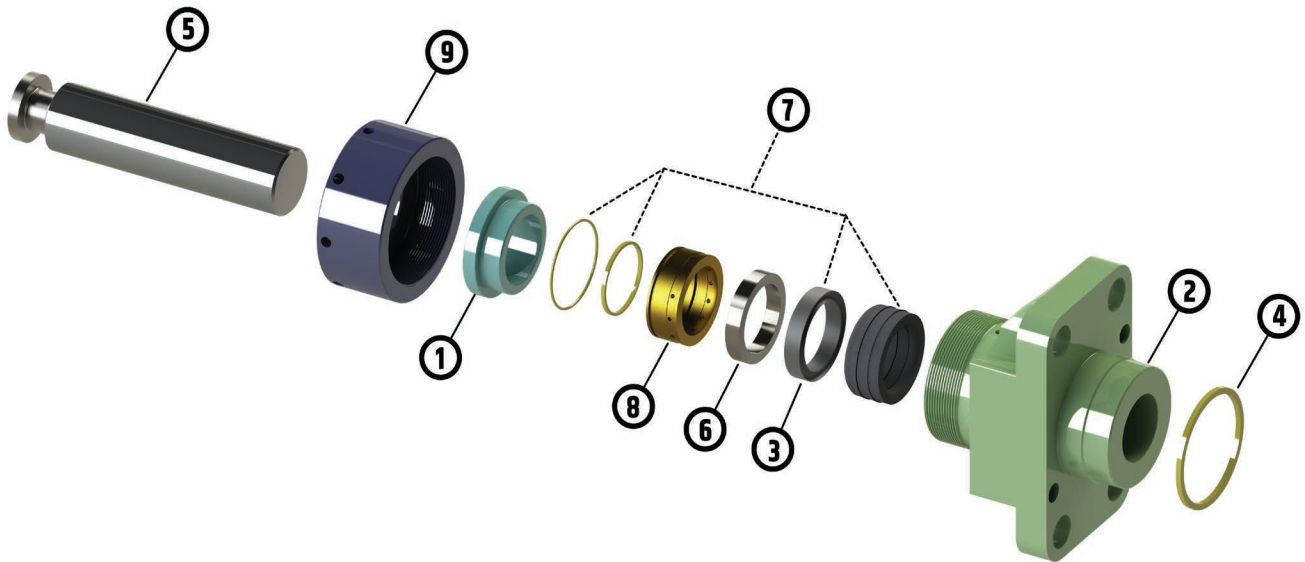
JWS340 Plunger/Packing Arrangement

JWS Fluid End



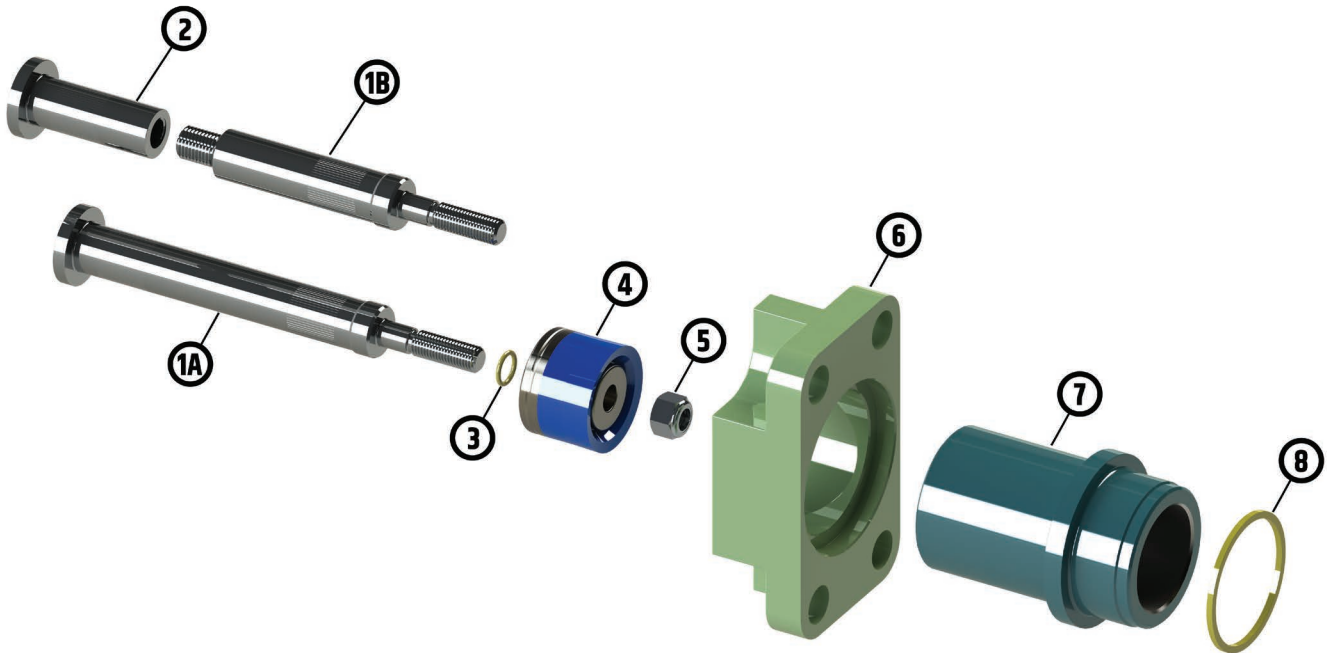
Item	Part	QTY	Description
	171719612A-P	1	Fluid End Module C/W Studs (buttress thread) JWS340 (Includes items 4 thru 6)
1	1718253-12-P	6	Threaded Cover - Top and Front (Buttress Thread) JWS 340
2	1718256-12-P	6	Plate - Top and Front (Buttress Thread) JWS 340
3	1718265-P	6	Valve Cover Gasket - Top and Front JWS 340
4	171719612-P	1	Fluid End Module, Unstudded (Buttress Thread) JWS 340
5	10032367-P	12	Stud, Cylinder to Frame JWS 340
6	6300220-P	12	Nut, Cylinder to Frame & Liner Clamp JWS 340
7	1718268-P	3	Discharge Spring Retainer JWS 340
8	1718267-P	3	Suction Valve Spring Bracket
9	7000304-11-P	9	HX HD Capscrew, 1/2" X 1-1/4"
10	7619050-P	9	1/2" Lock Washer
11	7000444-11-P	3	Suction Manifold Screw
12	7619066-P	3	Suction Manifold Screw Washer
13	08406001-P	3	Suction Manifold Gasket JWS 340 (not shown)

Item	Description	QTY	4"	3-1/2"
1	Gland	3	G-1717767-2-P	G-1717765-2-P
2	Stuffing Box	3	G-1717837-1-P	G-1717835-1-P
3	Adapter	3	G-1717787-2-P	G-1717785-2-P
4	Gasket	3	1712064-P	
5	Plunger	3	340-204-P	340-010-P
6	Washer	3	G-1717797-2-P	G-1717795-2-P
7	Packing Set	3	G6400040-P	G6400038-P
8	Lube Ring	3	G-1717777-2-P	G-1717775-2-P
9	Adjusting Nut	3	G-1717743-2-P	G-1717835-1-P



Item		Caliber® (Replaceable Insert)	Caliber®	G2 Style
1	Valve Assembly	510-41V00-00	510-42V0-HT	1561575-P
2A	Valve Seat (Suction)	510-49F00-17		1561571-P
2B	Valve Seat (Discharge)	510-49F00-18		1561572-P
3A	Valve Seat O-Ring (Suction)	3N7-2240		
3B	Valve Seat O-Ring (Discharge)	3N7-2244		
4	Valve Insert	NF-4-IA-P	N/A	1561577-P
5	Valve Spring	G1560697-P		

Item	Part	QTY	Description
1A	1713877-P	3	Piston Rod C/W Nut (includes item #4) JWS 340
1B	1717294-P	3	Piston Rod (2 piece) C/W Nut (includes item #4) JWS340
2	1717295-P	3	Sub Rod JWS340
3	3N7-2214	3	O-Ring
4	SEE CHART	3	Piston Complete (includes item #2)
5	7403224-P	3	Nut, Piston Rod
6	1716034-P	3	Clamp-liner JWS340
7	SEE CHART	3	Liner
8	1712064-P	3	Gasket Liner to Cylinder



Size	Liner	Piston Complete	Piston Rubber Kit	Bonded Piston
3"	0240-30-P	411-30A10-00	412-30A10-00	409-30N10-HT
3-1/2"	0240-34-P	411-34A10-00	412-34A10-00	409-34N10-HT
4"	0240-40-P	411-40K10-00	412-40K15-00	409-40N10-HT
4-1/2"	0240-44-P	411-44K15-00	412-44K15-00	409-44N10-HT
5"	0240-50-P	411-50B15-00	412-50B15-00	409-50N10-HT

CORPORATE

Premium Oilfield Technologies - USA

10600 W. Sam Houston Pkwy. North
Houston, TX 77064
T: +1 281.670.5200

MANUFACTURING & REPAIR

Premium Drilling Equipment and Support

9841 Windmill Park Ln.
Houston, TX 77064
T: +1 281.670.5200

Patriot and Urethane

10600 W. Sam Houston Pkwy. N.
Houston, TX 77064
T: +1 281.670.5228

West Texas Operations All Divisions

10207 West Industrial Ave.
Midland, TX 79706
T: +1 432.563.2328

Patriot Screens

4602 S. MacArthur Blvd.
Oklahoma City, OK 73179
T: +1 405.470.6553

Canada Operations All Divisions

107-6704-41 Street
Leduc, Alberta
Canada T9E 0Z4
T: +1 877.593.0034

FIELD SALES, SERVICES AND REPAIR OFFICES

California / Colorado / Louisiana / New Mexico / North Dakota / Oklahoma / Pennsylvania / Texas / Utah / Wyoming

INTERNATIONAL

KUWAIT

Premium Oilfield Technologies
P.O. Box 721
Yarmouk, Kuwait 72658
T: +965 99679126
T: +965 66022296

UAE

Premium Oilfield Technologies Trading LLC
P.O. Box 89561
Dubai, UAE
T: +971 55 889 7210
T: +971 56 986 3834

INDIA

PMR Mud Riggers India Private Limited
S-Block-232, MIDC
Bhosari, Pune MH 411026
India

UAE

Premium Oilfield Technologies FZE Top Drive Solutions
S700, PLOT S30229
Jebel Ali Free Zone (South)
P.O. Box 262263
Dubai, UAE
T: +971 4 889 4897
T: +971 506587570

SAUDI ARABIA

Premium Mud Pumps Trading Est.
P.O. Box 956
Dammam, KSA
Postal Code: 31951
T: +966 50 0157516

UAE

Premium Oilfield Technologies FZE Mud Pump Solutions
S700, PLOT S30229
Jebel Ali Free Zone (South)
P.O. Box 262263
Dubai, UAE
T: +971 4 889 4897
T: +971 558897210



Premium Oilfield Technologies
Q1-3977
ISO 9001:2015
Certificate Number: 5028



sales@premiumoilfield.com
premiumoilfield.com

121124

SUR·LOCK

CALIBER

TRU·FLOW

PATRIOT™



LOGAN
Power Swivel