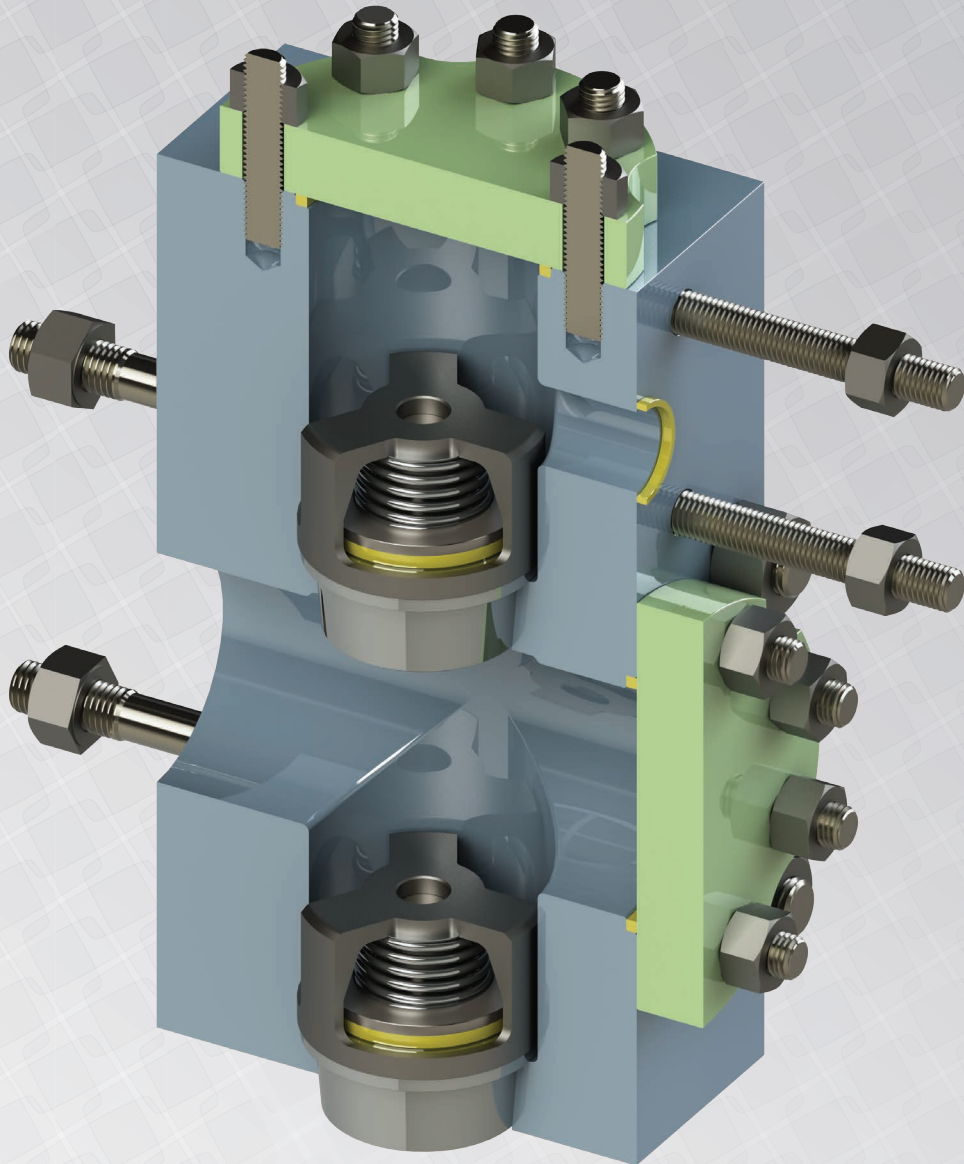
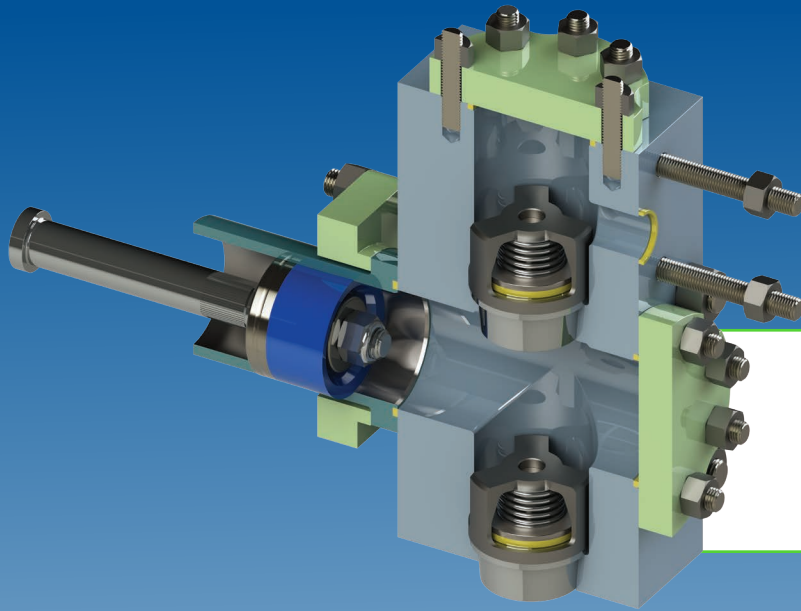


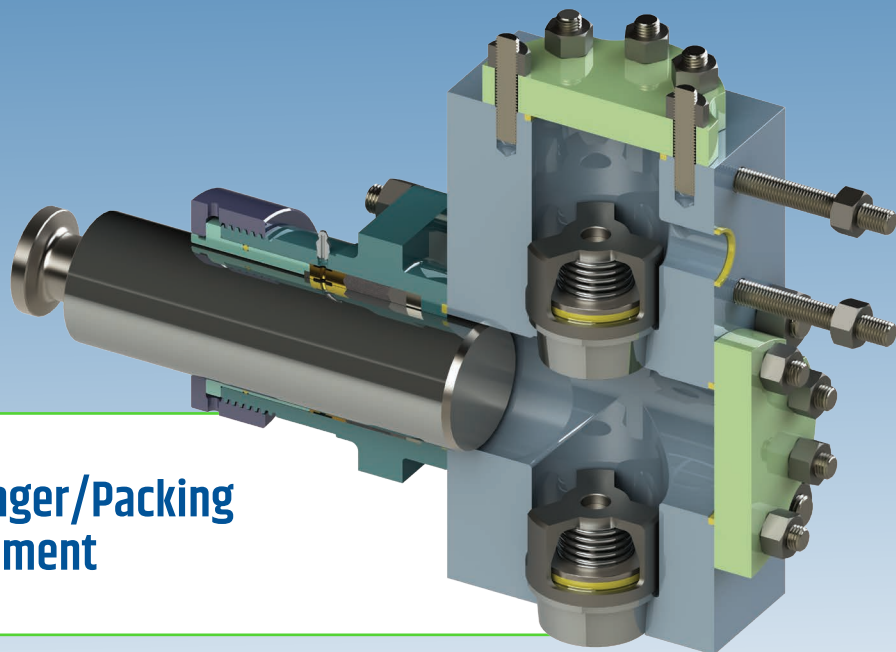
# TEE\_D Fluid End Parts



**Premium Oilfield Technologies** offers a complete line of fluid end modules and components that are manufactured to OEM specifications and interchangeability. Ours are machined to precise engineering tolerances. Each forging is machined and heat treated to maintain the best physical properties inside the module and on the surface, thus minimizing washing and stress cracking.

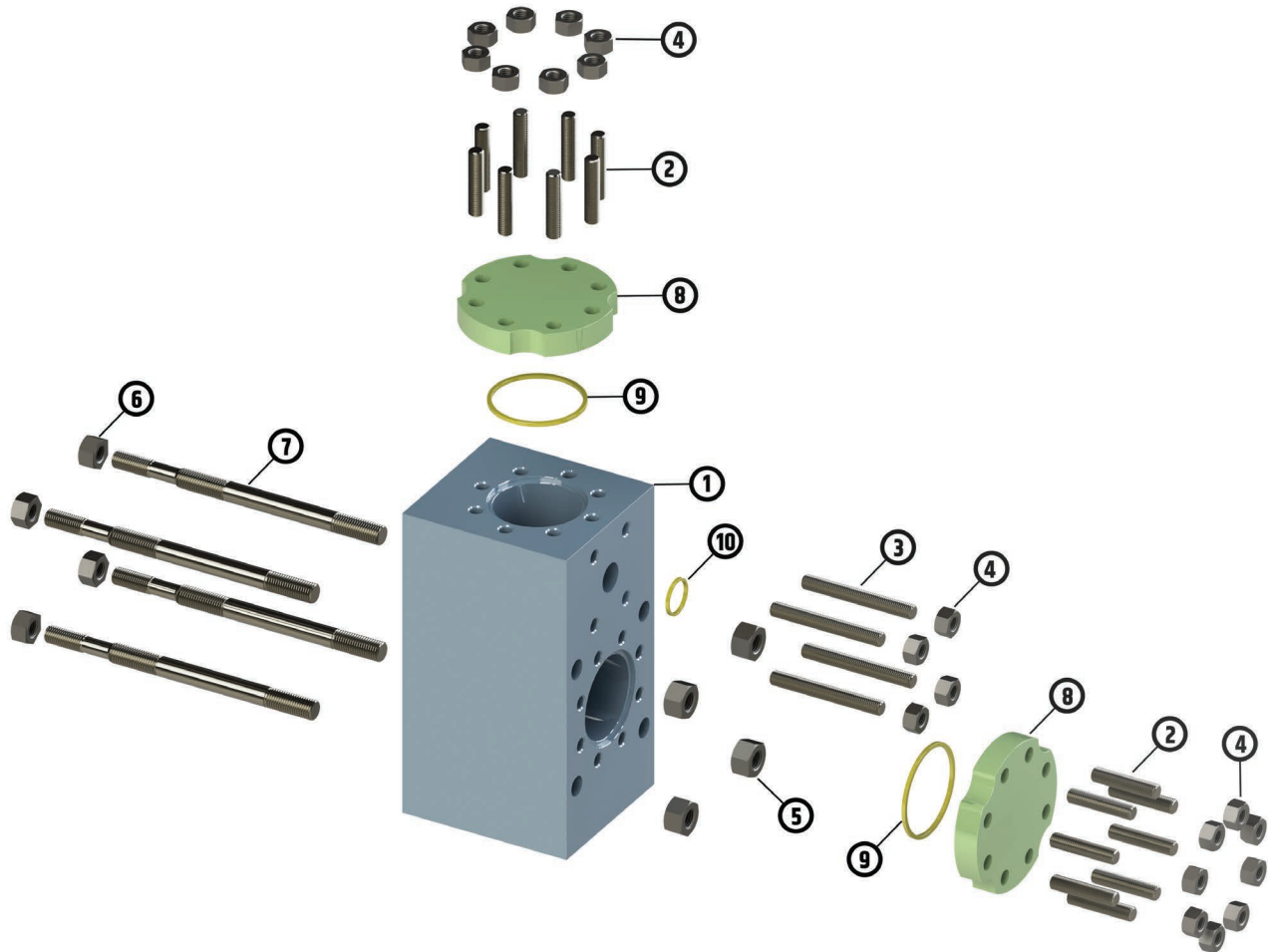


**TEE Liner/Piston Arrangement**

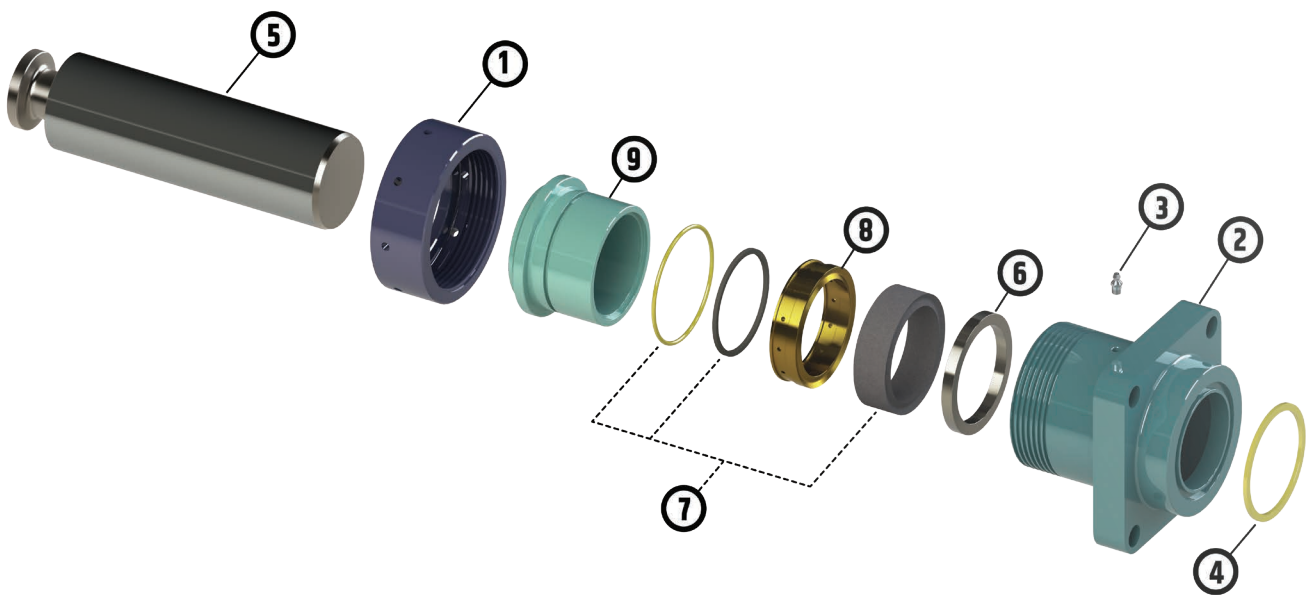


**TEE Plunger/Packing Arrangement**

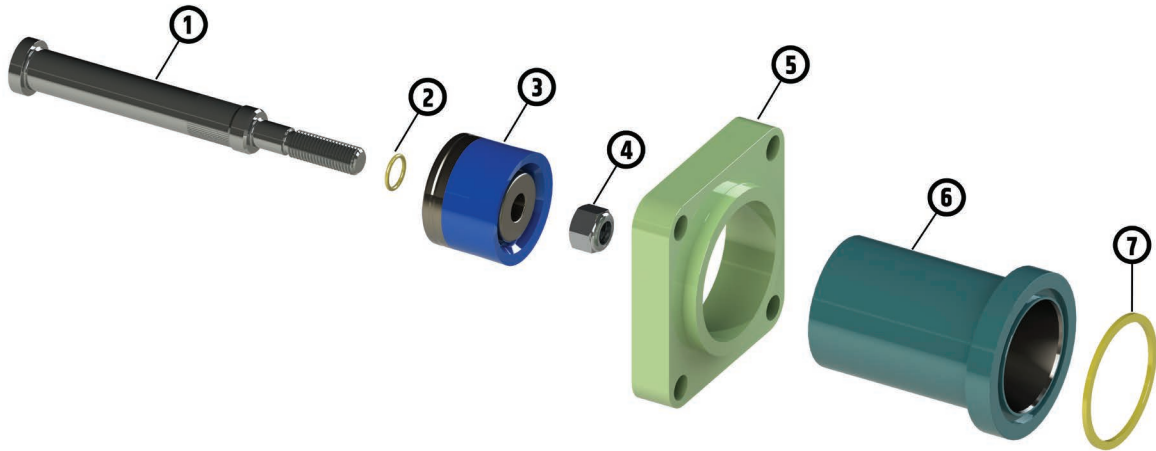
# TEE Fluid End



Item #	Part #	QTY	Description
	<b>200TEE029B-P</b>		<b>Fluid End Module C/W Studs (items 1 - 7)</b>
1	NS-200TEE029B-P	1	Fluid End Module Unstudded
2	201TEE110-P	48	Stud, Valve Cover
3	79L96-P	12	Stud, Discharge Manifold
4	50B32-P	60	Hvy Hex Nut
5	50B34-P	12	Hvy Hex Nut
6	50AQ30-P	12	Hvy Hex Nut
7	200TEE110-P	12	Stud, Cylinder to Frame & Stuffing Box
8	200TEE147-P	6	Valve Cover
9	25AL20-P	6	Valve Cover Gasket
10	25AL59-P	3	Discharge Manifold Gasket



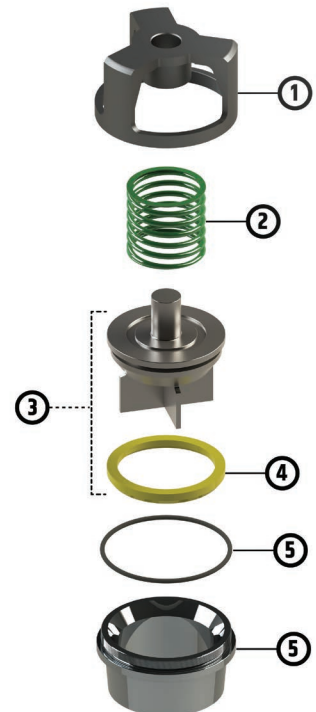
Ref. No	Description	Qty	4"	3-1/2"	3"
1	Gland	3	200PEE008-P		4PE113-P
2	Stuffing Box, incl. ref. no. 3	3	200TEE014-P	201TEE014-P	202TEE014-P
3	Grease Fitting	3	40E7		
4	Gasket	3	25AL20-P		
5	Plunger	3	1PE3840-P	1PE3835-P	1PE3830-P
<b>Packing assembly (includes items 6 - 9)</b>		3	TEE77906-P	TEE77907-P	TEE77908-P
6	Junk Ring	3	200TEE317-P	201TEE317-P	202TEE317-P
7	Packing Set	3	60DD116-P	60DD115-P	60DD113-P
8	Lantern Ring	3	200TEE445-P	201TEE445-P	202TEE445-P
9	Gland Bushing	3	200TEE152-P	201TEE152-P	202TEE152-P



Item #	Part Number	Qty	Description
1	200PEE060-P	3	Piston Rod C/W Nut (includes item #4)
2	3N7-2214	3	O-Ring
3	See Chart	3	Piston Complete (includes item #2)
4	7403224-P	3	Nut, Piston Rod
5	200PEE455-P	3	Clamp-Liner
6	SEE CHART	3	Liner
7	25AL36-P	3	Gasket Liner to Cylinder

Size	Liner	Piston Complete	Piston Rubber Kit	Bonded Piston
3"	201PEE456-P	411-30A10-00	412-30A10-00	409-30N10-HT
3-1/2"	202PEE456-P	411-34K10-00	412-34K15-00	409-34N10-HT
4"	203PEE456-P	411-40K10-00	412-40K15-00	409-40N10-HT

Item#	Description	Part Number
<b>Valve assembly complete (items 1 - 6)</b>		209TEE482-P
1	Valve Cage	2116524-P
2	Valve Spring	2116523-P
3	Valve c/w Insert	2116521-P
4	Valve Insert	2116522-P
5	O-Ring	2116520-P
6	Valve Seat	2116687-P



## CORPORATE

### Premium Oilfield Technologies - USA

10600 W. Sam Houston Pkwy. North  
Houston, TX 77064  
T: +1 281.670.5200

## MANUFACTURING & REPAIR

### Premium Drilling Equipment and Support

9841 Windmill Park Ln.  
Houston, TX 77064  
T: +1 281.670.5200

### Patriot and Urethane

10600 W. Sam Houston Pkwy. N.  
Houston, TX 77064  
T: +1 281.670.5228

### West Texas Operations All Divisions

10207 West Industrial Ave.  
Midland, TX 79706  
T: +1 432.563.2328

### Patriot Screens

4602 S. MacArthur Blvd.  
Oklahoma City, OK 73179  
T: +1 405.470.6553

### Canada Operations All Divisions

107-6704-41 Street  
Leduc, Alberta  
Canada T9E 0Z4  
T: +1 877.593.0034

## FIELD SALES, SERVICES AND REPAIR OFFICES

California / Colorado / Louisiana / New Mexico / North Dakota / Oklahoma / Pennsylvania / Texas / Utah / Wyoming

## INTERNATIONAL

### KUWAIT

**Premium Oilfield Technologies**  
P.O. Box 721  
Yarmouk, Kuwait 72658  
T: +965 99679126  
T: +965 66022296

### UAE

**Premium Oilfield Technologies Trading LLC**  
P.O. Box 89561  
Dubai, UAE  
T: +971 55 889 7210  
T: +971 56 986 3834

### INDIA

**PMR Mud Riggers India Private Limited**  
S-Block-232, MIDC  
Bhosari, Pune MH 411026  
India

### UAE

**Premium Oilfield Technologies FZE Top Drive Solutions**  
S700, PLOT S30229  
Jebel Ali Free Zone (South)  
P.O. Box 262263  
Dubai, UAE  
T: +971 4 889 4897  
T: +971 506587570

### SAUDI ARABIA

**Premium Mud Pumps Trading Est.**  
P.O. Box 956  
Dammam, KSA  
Postal Code: 31951  
T: +966 50 0157516

### UAE

**Premium Oilfield Technologies FZE Mud Pump Solutions**  
S700, PLOT S30229  
Jebel Ali Free Zone (South)  
P.O. Box 262263  
Dubai, UAE  
T: +971 4 889 4897  
T: +971 558897210



Premium Oilfield Technologies  
Q1-3977  
ISO 9001:2015  
Certificate Number: 5028



[sales@premiumoilfield.com](mailto:sales@premiumoilfield.com)  
[premiumoilfield.com](http://premiumoilfield.com)

121124

**SUR·LOCK**

**CALIBER**

**TRU·FLOW**

**PATRIOT™**



**LOGAN**  
Power Swivel