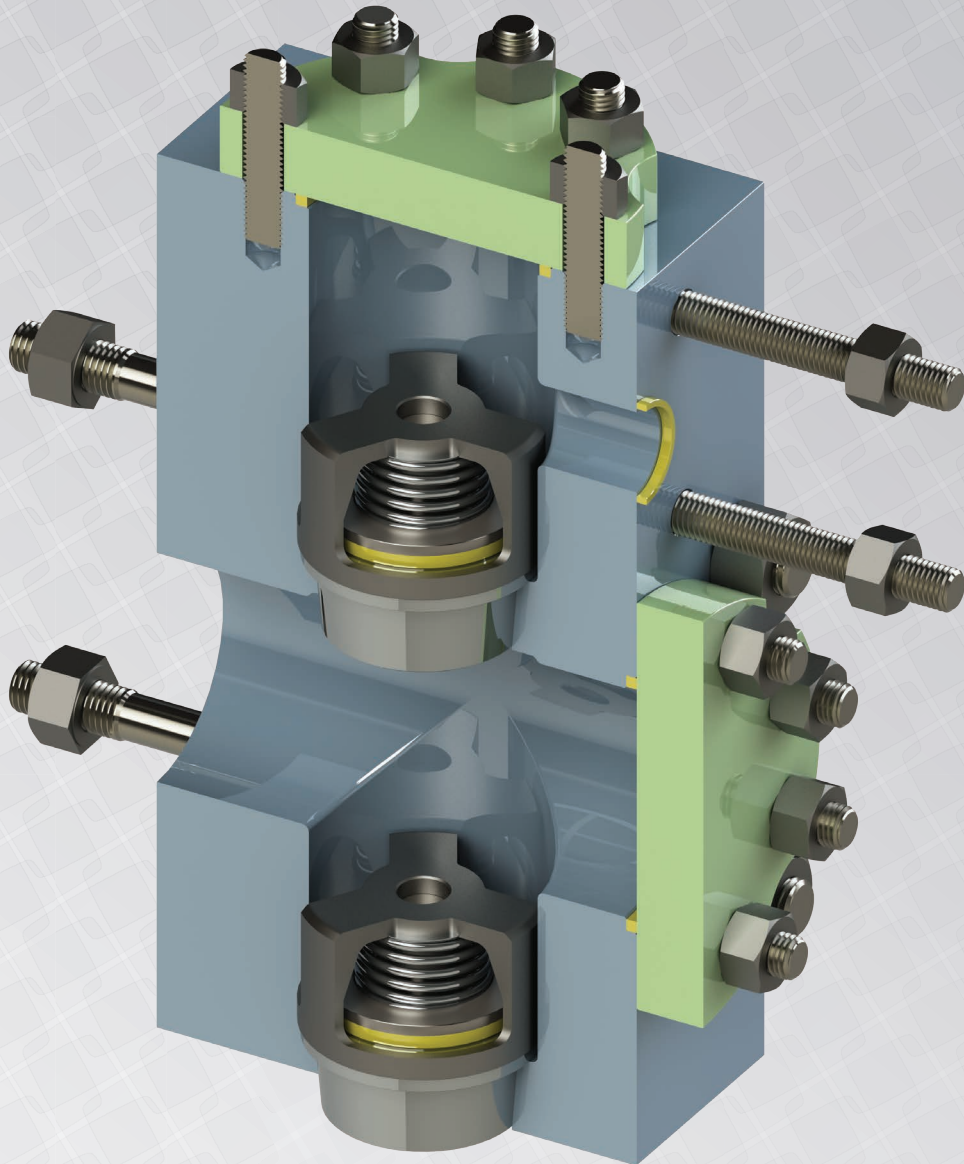
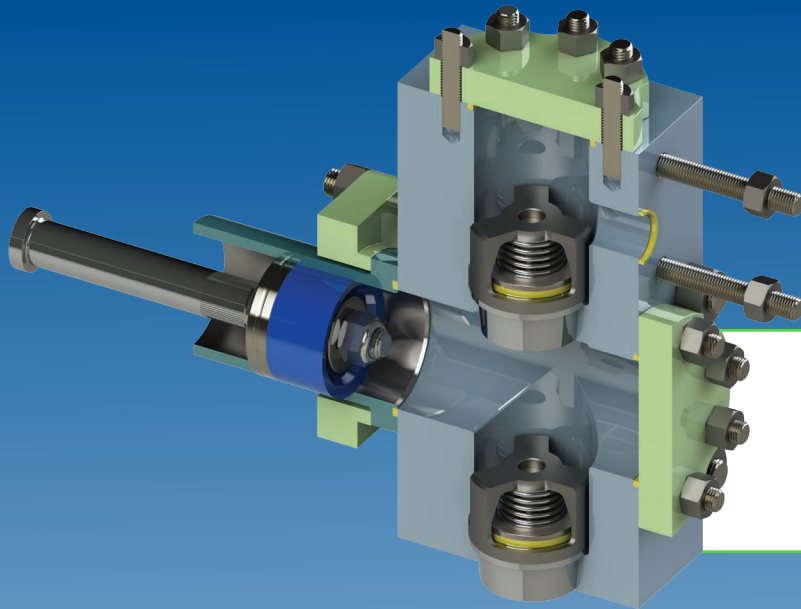


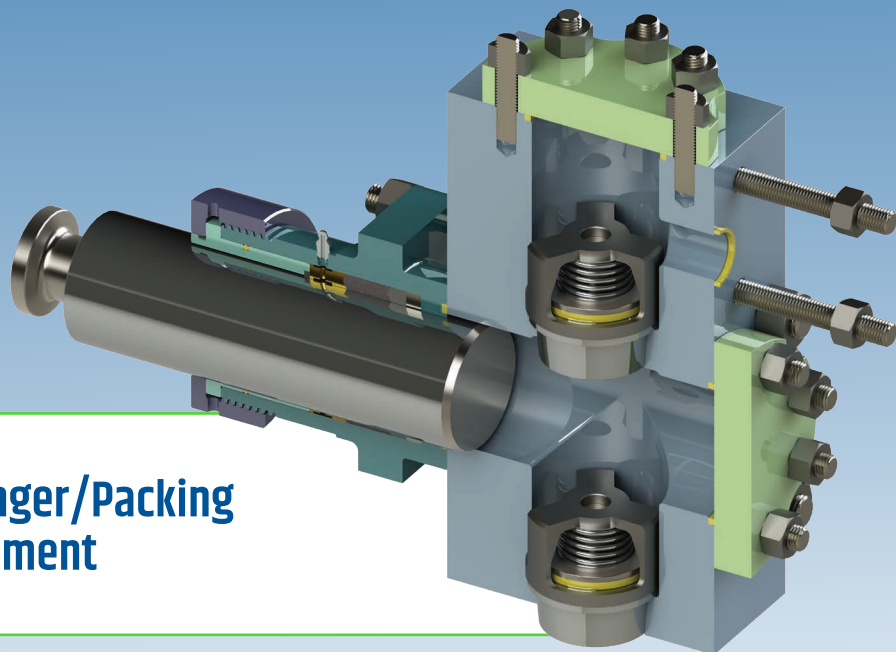
# TEE\_D Fluid End Parts



**Premium Oilfield Technologies** offers a complete line of fluid end modules and components that are manufactured to OEM specifications and interchangeability. Ours are machined to precise engineering tolerances. Each forging is machined and heat treated to maintain the best physical properties inside the module and on the surface, thus minimizing washing and stress cracking.

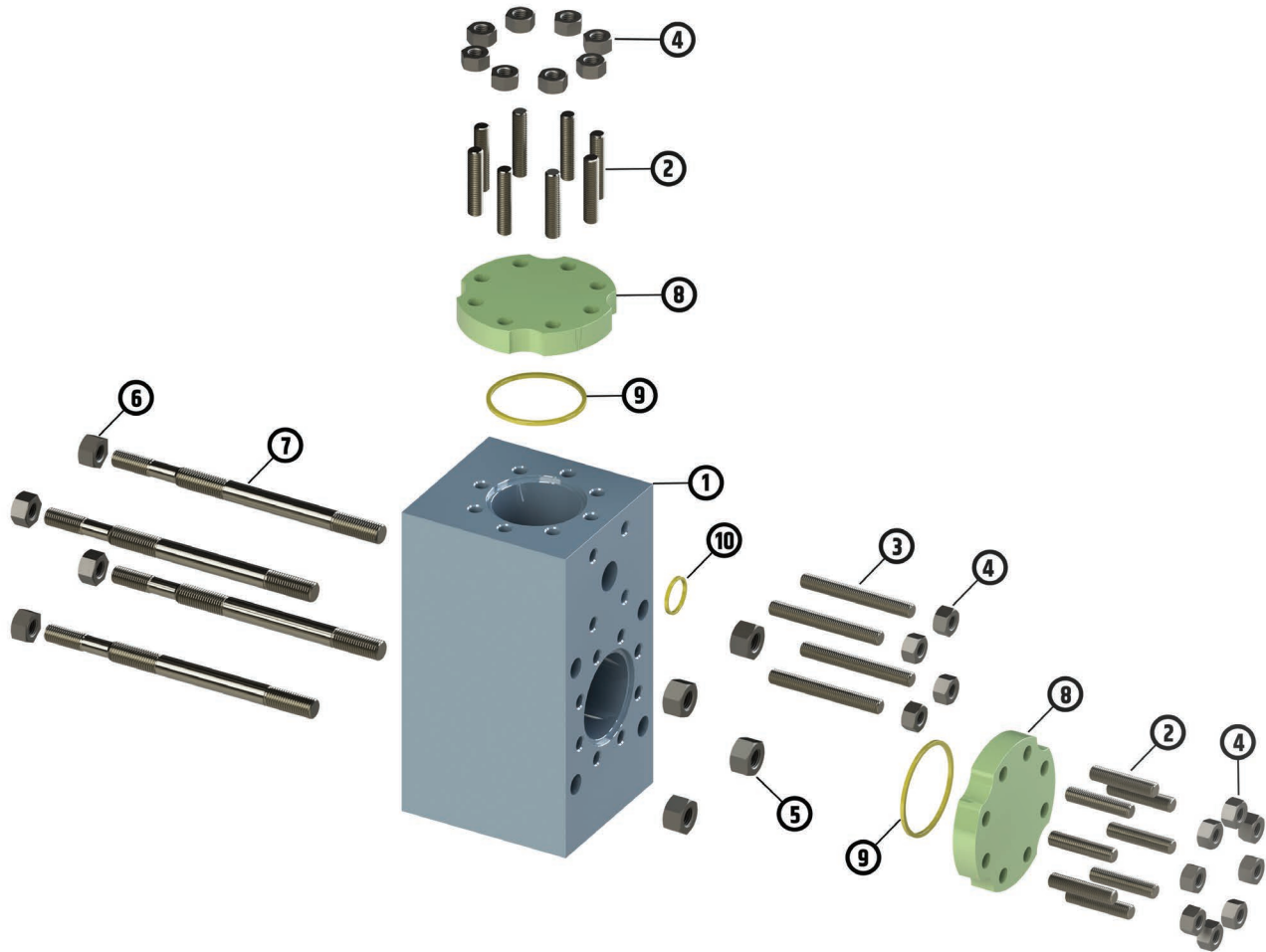


**TEE Liner/Piston Arrangement**

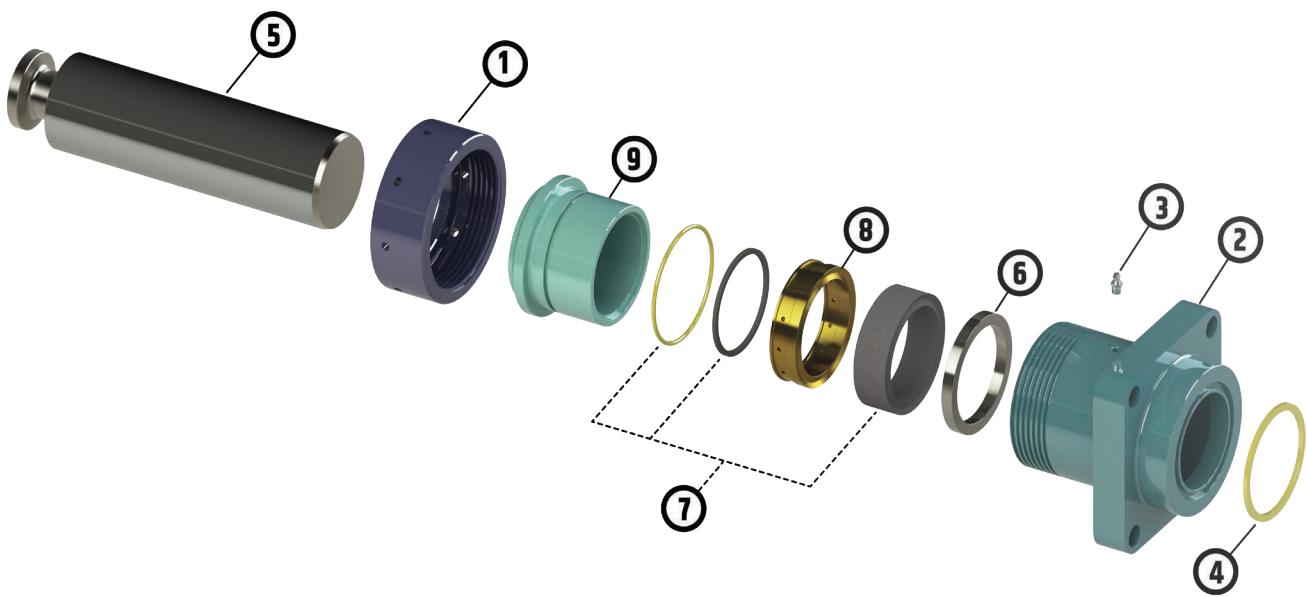


**TEE Plunger/Packing Arrangement**

# TEE Fluid End

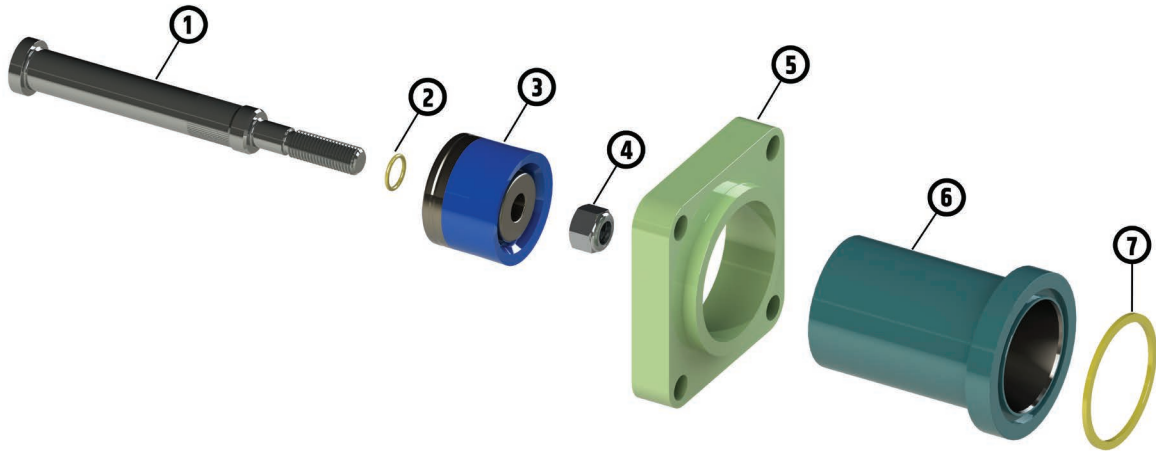


| Item # | Part #              | QTY | Description                                     |
|--------|---------------------|-----|---|
|        | <b>200TEE029B-P</b> |     | <b>Fluid End Module C/W Studs (items 1 - 7)</b> |
| 1      | NS-200TEE029B-P     | 1   | Fluid End Module Unstudded                      |
| 2      | 201TEE110-P         | 48  | Stud, Valve Cover                               |
| 3      | 79L96-P             | 12  | Stud, Discharge Manifold                        |
| 4      | 50B32-P             | 60  | Hvy Hex Nut                                     |
| 5      | 50B34-P             | 12  | Hvy Hex Nut                                     |
| 6      | 50AQ30-P            | 12  | Hvy Hex Nut                                     |
| 7      | 200TEE110-P         | 12  | Stud, Cylinder to Frame & Stuffing Box          |
| 8      | 200TEE147-P         | 6   | Valve Cover                                     |
| 9      | 25AL20-P            | 6   | Valve Cover Gasket                              |
| 10     | 25AL59-P            | 3   | Discharge Manifold Gasket                       |



| Ref. No  | Description                    | Qty | 4"          | 3-1/2"      | 3"          |
|--|--------------------------------|-----|-------------|-------------|-------------|
| 1  | Gland                          | 3   | 200PEE008-P |             | 4PE113-P    |
| 2  | Stuffing Box, incl. ref. no. 3 | 3   | 200TEE014-P | 201TEE014-P | 202TEE014-P |
| 3  | Grease Fitting                 | 3   | 40E7        |             |             |
| 4  | Gasket                         | 3   | 25AL20-P    |             |             |
| 5  | Plunger                        | 3   | 1PE3840-P   | 1PE3835-P   | 1PE3830-P   |
| <b>Packing assembly (includes items 6 - 9)</b> |                                | 3   | TEE77906-P  | TEE77907-P  | TEE77908-P  |
| 6  | Junk Ring                      | 3   | 200TEE317-P | 201TEE317-P | 202TEE317-P |
| 7  | Packing Set                    | 3   | 60DD116-P   | 60DD115-P   | 60DD113-P   |
| 8  | Lantern Ring                   | 3   | 200TEE445-P | 201TEE445-P | 202TEE445-P |
| 9  | Gland Bushing                  | 3   | 200TEE152-P | 201TEE152-P | 202TEE152-P |

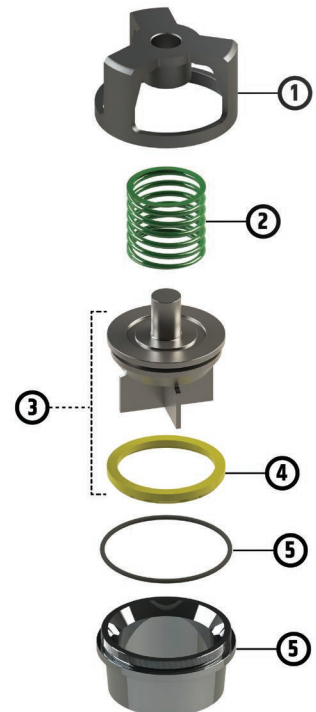




| Item # | Part Number | Qty | Description                           |
|--------|-------------|-----|---------------------------------------|
| 1      | 200PEE060-P | 3   | Piston Rod C/W Nut (includes item #4) |
| 2      | 3N7-2214    | 3   | O-Ring                                |
| 3      | See Chart   | 3   | Piston Complete (includes item #2)    |
| 4      | 7403224-P   | 3   | Nut, Piston Rod                       |
| 5      | 200PEE455-P | 3   | Clamp-Liner                           |
| 6      | SEE CHART   | 3   | Liner                                 |
| 7      | 25AL36-P    | 3   | Gasket Liner to Cylinder              |

| Size   | Liner       | Piston Complete | Piston Rubber Kit | Bonded Piston |
|--------|-------------|-----------------|-------------------|---------------|
| 3"     | 201PEE456-P | 411-30A10-00    | 412-30A10-00      | 409-30N10-HT  |
| 3-1/2" | 202PEE456-P | 411-34K10-00    | 412-34K15-00      | 409-34N10-HT  |
| 4"     | 203PEE456-P | 411-40K10-00    | 412-40K15-00      | 409-40N10-HT  |

| Item#  | Description      | Part Number |
|--|------------------|-------------|
| <b>Valve assembly complete (items 1 - 6)</b> |                  | 209TEE482-P |
| 1  | Valve Cage       | 2116524-P   |
| 2  | Valve Spring     | 2116523-P   |
| 3  | Valve c/w Insert | 2116521-P   |
| 4  | Valve Insert     | 2116522-P   |
| 5  | O-Ring           | 2116520-P   |
| 6  | Valve Seat       | 2116687-P   |



## CORPORATE

### Premium Oilfield Technologies - USA

10600 W. Sam Houston Pkwy. North  
Houston, TX 77064  
T: +1 281.670.5200

## USA MANUFACTURING & REPAIR

### *Patriot and Urethane*

10600 W. Sam Houston Pkwy. North  
Houston, TX 77064  
T: +1 281.670.5228

### *Premium Drilling Equipment and Support*

9841 Windmill Park Ln.  
Houston, TX 77064  
T: +1 281.670.5200

### *Well Service Solutions and Equipment*

2904 SCR 1250  
Midland, TX 79706  
T: +1 432.563.2338

### *West Texas Operations - All Divisions*

10207 West Industrial Ave.  
Midland, TX 79706  
T: +1 432.332.3651

### *Patriot Screens*

4602 S. MacArthur Blvd.  
Oklahoma City, OK 73179  
T: +1 405.470.6553

## NORTH AMERICA FIELD SALES, SERVICES AND REPAIR OFFICES

California / Colorado / Louisiana / New Mexico / North Dakota / Oklahoma / Pennsylvania / Texas / Utah  
Wyoming / Leduc, Alberta

## INTERNATIONAL

### KUWAIT

#### Premium Oilfield Technologies

P.O. Box 721  
Yarmouk, Kuwait 72658  
T: +965 99679126  
T: +965 66022296

### INDIA

#### PMR Mud Riggers India Private Limited

21/17, D-1 Block, MIDC  
Chinchwad, Pune MH 411019  
India

### SAUDI ARABIA

#### Premium Mud Pumps Trading Est.

P.O. Box 956  
Dammam, KSA  
Postal Code: 31951  
T: +966 50 0157516

### UAE

#### Premium Oilfield Technologies Trading LLC

P.O. Box 89561  
Dubai, UAE  
T: +971 55 889 7210  
T: +971 56 986 3834

### UAE

#### Premium Oilfield Technologies FZE Top Drive Solutions

S700, PLOT S30229  
Jebel Ali Free Zone (South)  
P.O. Box 262263  
Dubai, UAE  
T: +971 4 889 4897  
T: +971 506587570

### UAE

#### Premium Oilfield Technologies FZE Mud Pump Solutions

S700, PLOT S30229  
Jebel Ali Free Zone (South)  
P.O. Box 262263  
Dubai, UAE  
T: +971 4 889 4897  
T: +971 558897210



Premium Oilfield Technologies  
Q1-3977  
ISO 9001:2015  
Certificate Number: 5028



[sales@premiumoilfield.com](mailto:sales@premiumoilfield.com)  
[premiumoilfield.com](http://premiumoilfield.com)

061724

**SUR·LOCK**

**CALIBER**

**TRU·FLOW**

**PATRIOT™**



**LOGAN**  
Power Swivel