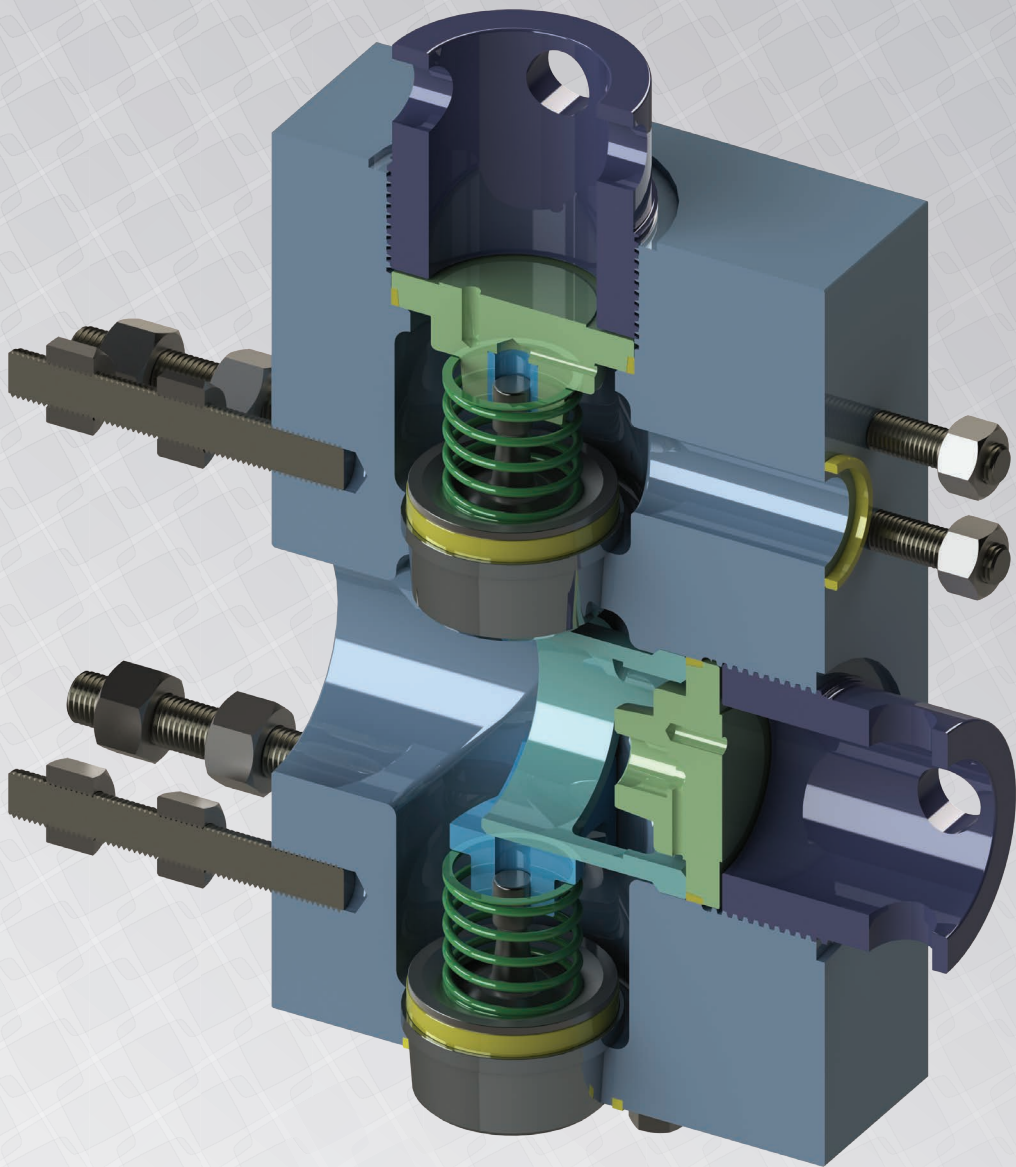
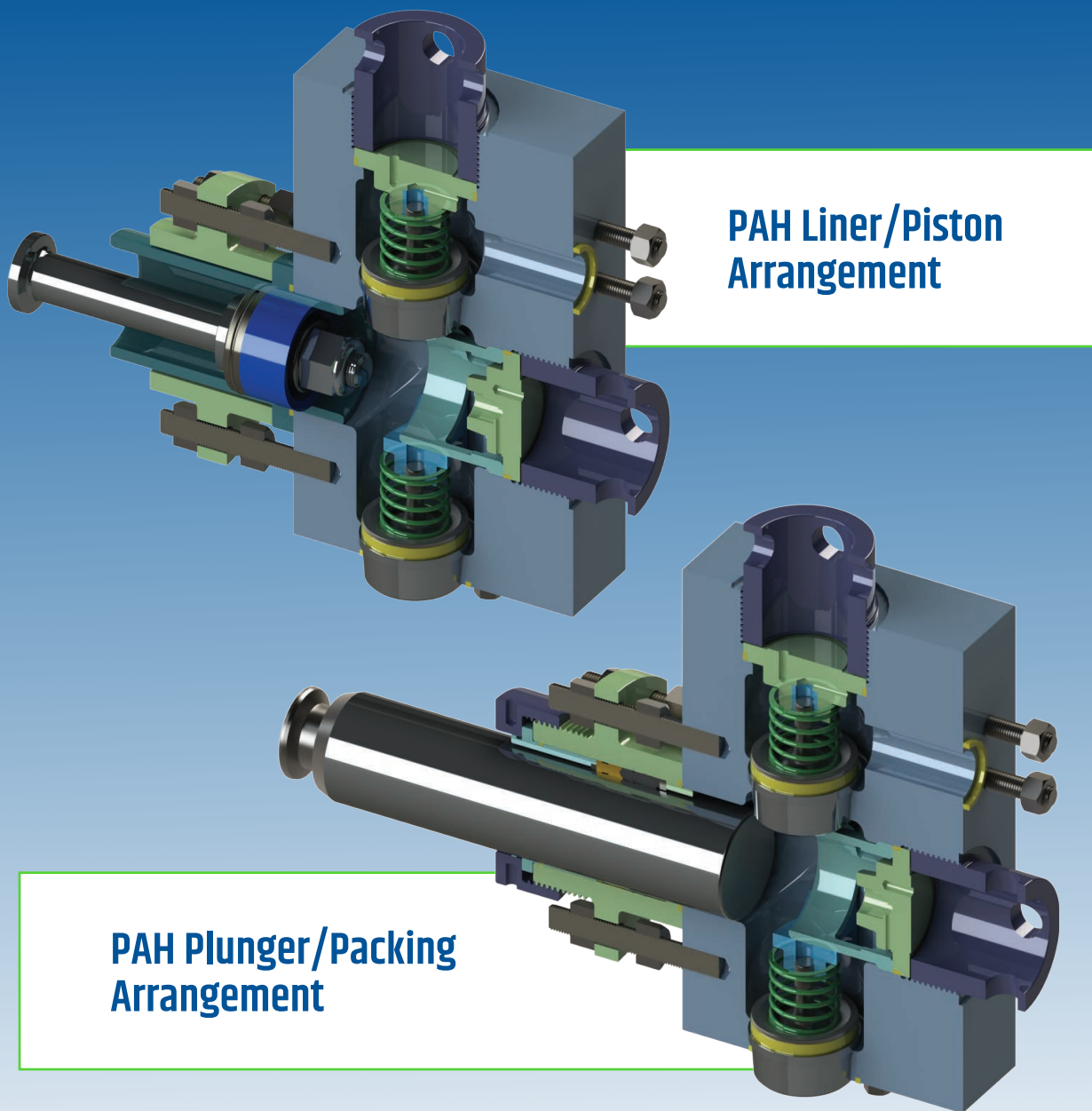


# PAH Fluid End Parts



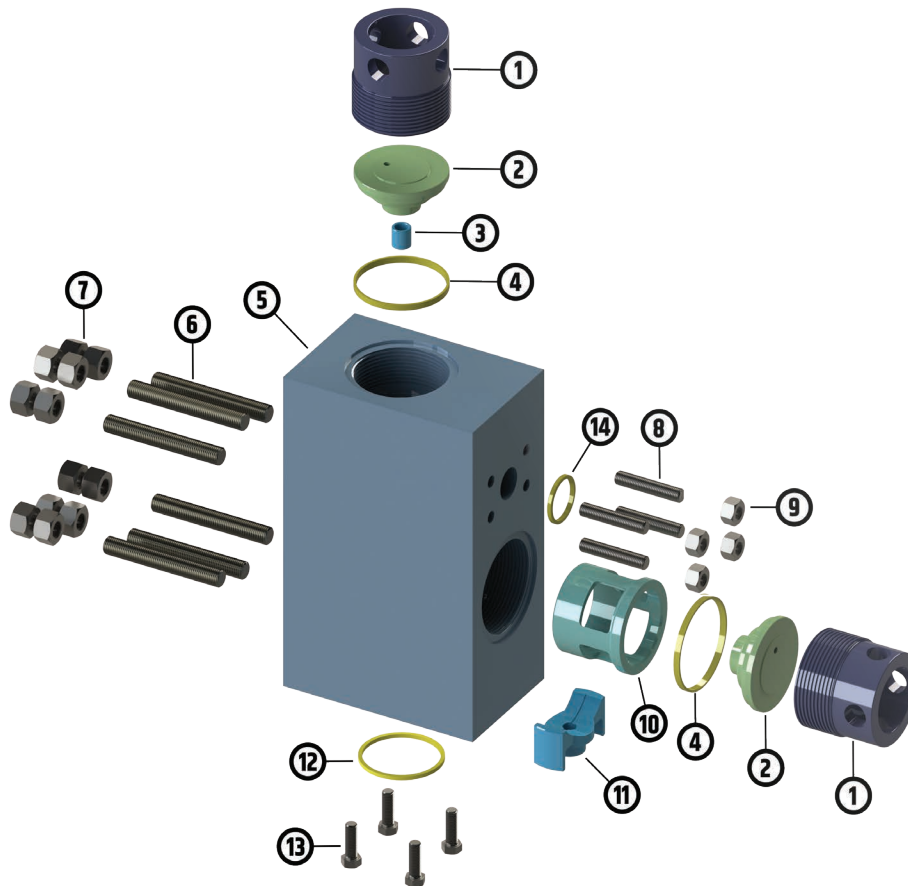
**Premium Oilfield Technologies** offers a complete line of fluid end modules and components that are manufactured to OEM specifications and interchangeability. Our modules are machined to precise engineering tolerances. Each forging is machined and heat treated to maintain the best physical properties inside the module and on the surface, thus minimizing washing and stress cracking.



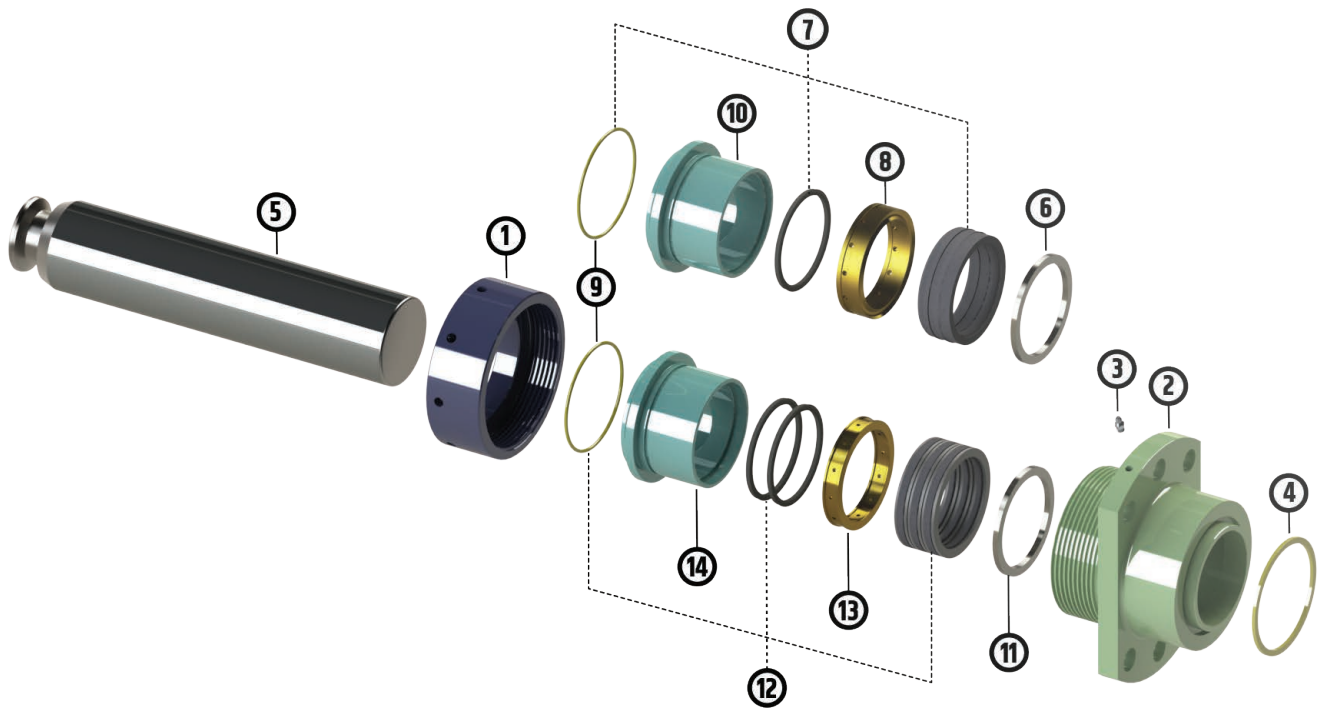
**PAH Liner/Piston Arrangement**

**PAH Plunger/Packing Arrangement**

# PAH Pump

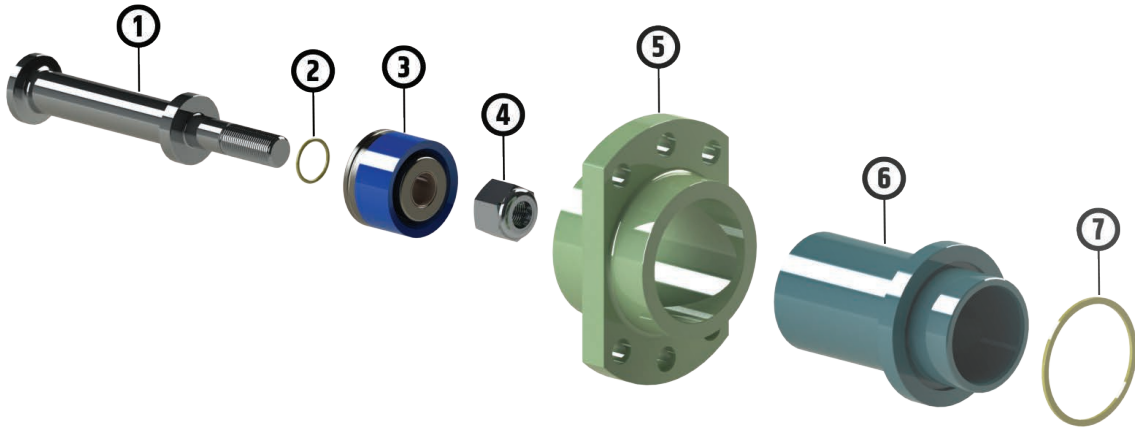


Item #	Part #	QTY	Description
<b>200PJH029B-P</b>			<b>FLUID END MODULE c/w STUDS (ITEMS 5 THRU 9)</b>
1	3PA587-P	6	Lock-Cover
2	200PJH147-P	6	Cover-Valve
3	2013547-P	3	Bushing, Discharge Valve Cover
4	0799-P	6	Gasket, Valve Cover
5	NS-200PJH029B	3	Fluid End Module Unstudded
6	79AJ2-P	18	Stud, Cylinder to Frame
7	210-015	36	Nut, Cylinder to Frame & Liner Clamp
8	79L142-P	12	Stud, Discharge Manifold
9	50B9-P	12	Nut, Manifold to Cylinder Stud
10	200PJH205-P	3	Retainer, Suction Valve Guide
11	200PJH483-P	3	Guide-Valve, Suction
12	25G18-P	3	Gasket, Suction Manifold to Cylinder
13	75A57N-P	12	Screw, Suction Manifold to Cylinder
14	25AL54-P	3	Gasket, Manifold to Cylinder



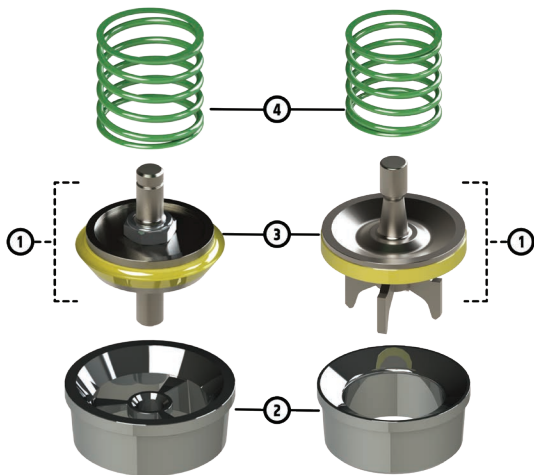
Item #	Description	Qty	4-1/2"	4"	3-1/2"
1	Gland	3	6PA113-P		
2	Box-Stuffing, inc. ref. no. 3	3	8PA14-P	9PA14-P	10PA14-P
3	Grease Fitting	3	40E7		
4	Gasket	3	0266-P		
5	Plunger	3	200PAH038-P	201PAH038-P	203PAH038-P
<b>J STYLE PACKING</b>					
<b>PACKING ASSEMBLY</b>		3	38PA160045-P	38PA160040-P	38PA160035-P
6	Junk Ring	3	PO3175-P	PO31740-P	PO31735-P
7	Packing Set, inc. ref. no. 9*	3	60BU93-P	60BU91-P	60BU90-P
8	Lantern Ring	3	PO44545-P	PO44540-P	PO44535-P
9	O-Ring*	3	25AA32-P	25AA28-P	25AA24-P
10	Gland Bushing	3	29PA15245-P	29PA15240-P	29PA15235-P
<b>S STYLE PACKING</b>					
<b>PACKING ASSEMBLY</b>		3	TGF7712-P	TGF77613-P	
11	Junk Ring	3	201TGF317-P	202TGF317-P	
12	Packing Set, inc. ref. no. 9*	3	60DD117-P	60DD116-P	
13	Lantern Ring	3	201TGF445-P	202TGF317-P	
9	O-Ring*	3	25AA32-P	25AA28-P	
14	Gland Bushing	3	202TGF152-P	203TGF152-P	





Item #	Part #	QTY	Description
1	PJ183-P	3	Piston Rod C/W Nut (Includes Item #4)
2	301-0006	3	O-Ring
3	SEE CHART	3	Piston Complete (Includes Item #2)
4	170-14A06-01	3	Nut, Piston Rod
5	1PA217-P	3	Clamp-Liner
6	SEE CHART	3	Liner
7	0266-P	3	Gasket Liner To Cylinder

Size	Liner	Piston Complete	Piston Rubber Kit	Bonded Piston
3"	0193-30-P	411-30K15-00	412-30K15-00	409-30N15-HT
3-1/2"	0193-34-P	411-34K15-00	412-34K15-00	409-34N15-HT
4"	0193-40-P	411-40K15-00	412-40K15-00	409-40N15-HT
4-1/2"	0193-44-P	411-44K15-00	412-44K15-00	409-44N15-HT
5"	0193-50-P	411-50B15-00	412-50B15-00	409-50N15-HT



Item#		Caliber® (Replaceable Insert)	Caliber®	3-WEB
1	Valve Assembly	510-41V01-00	510-42V01-HT	PJ482A-P
2	Valve Seat	510-46S00-05		PJ451-P
3	Valve Insert	NF-4-I-P	N/A	PJ452-P
4	Valve Spring	5710-33		78H23-P

## CORPORATE

### Premium Oilfield Technologies - USA

10600 W. Sam Houston Pkwy. North  
Houston, TX 77064  
T: +1 281.670.5200

## USA MANUFACTURING & REPAIR

### *Patriot and Urethane*

10600 W. Sam Houston Pkwy. North  
Houston, TX 77064  
T: +1 281.670.5228

### *Premium Drilling Equipment and Support*

9841 Windmill Park Ln.  
Houston, TX 77064  
T: +1 281.670.5200

### *Well Service Solutions and Equipment*

2904 SCR 1250  
Midland, TX 79706  
T: +1 432.563.2338

### *West Texas Operations - All Divisions*

10207 West Industrial Ave.  
Midland, TX 79706  
T: +1 432.332.3651

### *Patriot Screens*

4602 S. MacArthur Blvd.  
Oklahoma City, OK 73179  
T: +1 405.470.6553

## NORTH AMERICA FIELD SALES, SERVICES AND REPAIR OFFICES

California / Colorado / Louisiana / New Mexico / North Dakota / Oklahoma / Pennsylvania / Texas / Utah  
Wyoming / Leduc, Alberta

## INTERNATIONAL

### KUWAIT

#### Premium Oilfield Technologies

P.O. Box 721  
Yarmouk, Kuwait 72658  
T: +965 99679126  
T: +965 66022296

### INDIA

#### PMR Mud Riggers India Private Limited

21/17, D-1 Block, MIDC  
Chinchwad, Pune MH 411019  
India

### SAUDI ARABIA

#### Premium Mud Pumps Trading Est.

P.O. Box 956  
Dammam, KSA  
Postal Code: 31951  
T: +966 50 0157516

### UAE

#### Premium Oilfield Technologies Trading LLC

P.O. Box 89561  
Dubai, UAE  
T: +971 55 889 7210  
T: +971 56 986 3834

### UAE

#### Premium Oilfield Technologies FZE Top Drive Solutions

S700, PLOT S30229  
Jebel Ali Free Zone (South)  
P.O. Box 262263  
Dubai, UAE  
T: +971 4 889 4897  
T: +971 506587570

### UAE

#### Premium Oilfield Technologies FZE Mud Pump Solutions

S700, PLOT S30229  
Jebel Ali Free Zone (South)  
P.O. Box 262263  
Dubai, UAE  
T: +971 4 889 4897  
T: +971 558897210



Premium Oilfield Technologies  
Q1-3977  
ISO 9001:2015  
Certificate Number: 5028



[sales@premiumoilfield.com](mailto:sales@premiumoilfield.com)  
[premiumoilfield.com](http://premiumoilfield.com)

061724

**SUR·LOCK**

**CALIBER**

**TRU·FLOW**

**PATRIOT™**



**LOGAN**  
Power Swivel